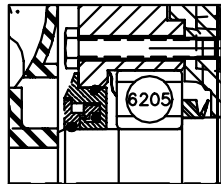
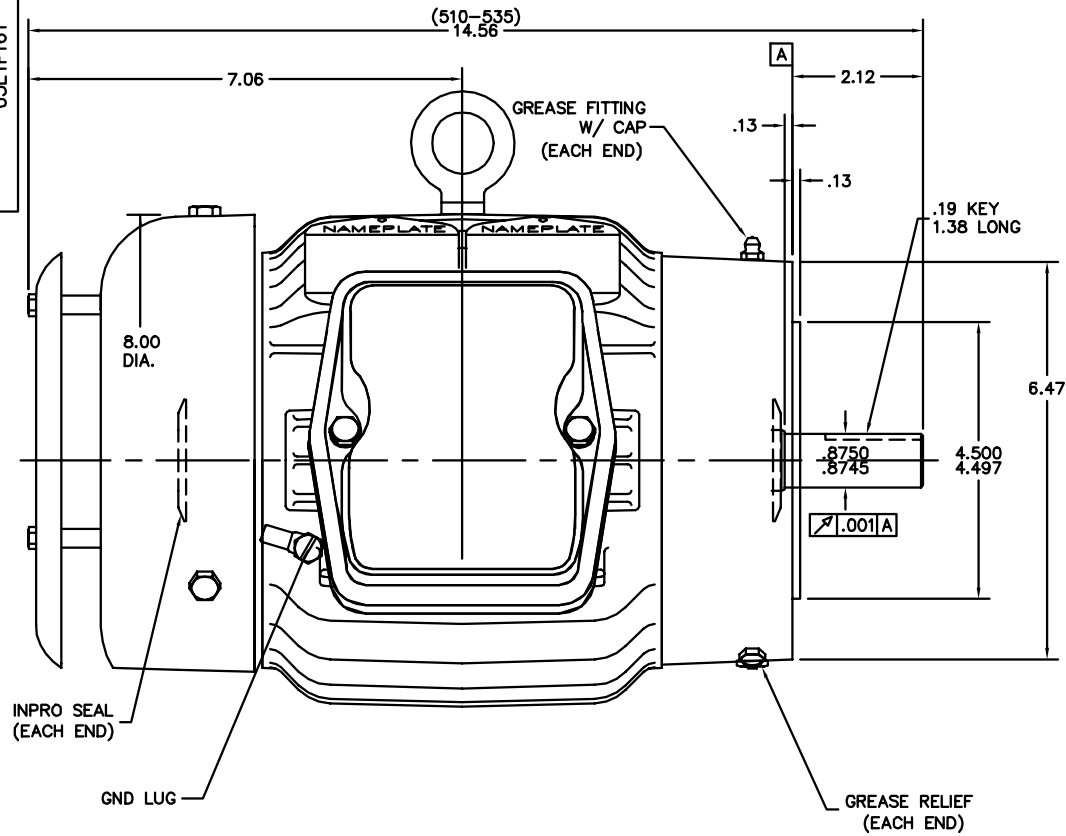
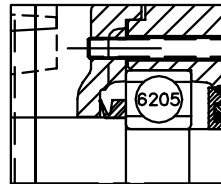


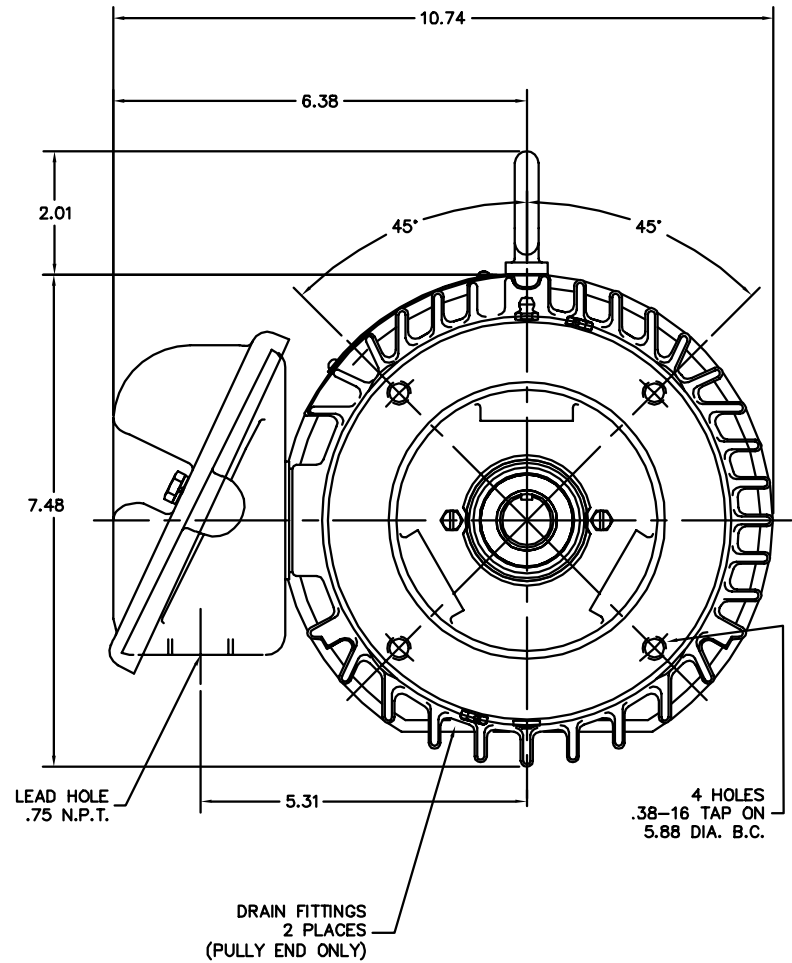
05LYF161



FRONT END DETAIL



PULLEY END DETAIL



CUSTOMER IS RESPONSIBLE FOR DETERMINING THAT BALDOR'S PRODUCT WILL PERFORM SUITABLY IN THE INTENDED APPLICATION.

REV. DESC: REMOVE AUX NP CALLOUT	VERSION: 07	TDR: 000001011654
REV. LTR: G	REVISED: 09:15:22 01/13/2017	BY: USTRYAY1
FILE: \AAA\00151\071		
MTL: -		

**BALDOR**

VERT 143-5TC TEFC 05M W6 (ECP)IEEE841, DRIP COVER

SH 1 of 1

05LYF161