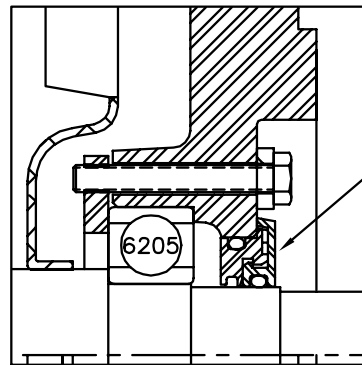


FRONT END DETAIL



PULLEY END DETAIL

JM CLIPPER SEALS
 (EACH END)

CUSTOMER IS RESPONSIBLE FOR DETERMINING THAT BALDOR'S PRODUCT WILL PERFORM SUITABLY IN THE INTENDED APPLICATION.

REV. DESC: ADD JM CLIPPER SEALS NOTE TO LAYOUT		
REV. LTR: A	VERSION: 01	TDR: 00000951497
FILE: \AAA\00169\558	REVISED: 02: 20: 34 11/05/2015	BY: ENERINO
MTL: -	◎ ◻	

BALDOR

STD HORZ 143-5TC TEFC 35M WD4 W/ .75 NPT LEAD HOLE

SH 1 of 1