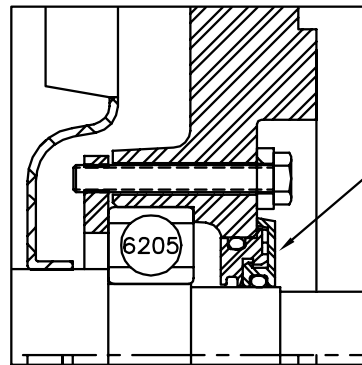


FRONT END DETAIL



PULLEY END DETAIL

JM CLIPPER SEALS
 (EACH END)

CUSTOMER IS RESPONSIBLE FOR DETERMINING THAT BALDOR'S PRODUCT WILL PERFORM SUITABLY IN THE INTENDED APPLICATION.

| | | |
|--|--------------------------------|------------------|
| REV. DESC: ADD JM CLIPPER SEALS NOTE TO LAYOUT | | |
| REV. LTR: A | VERSION: 01 | TDR: 00000951497 |
| FILE: \AAA\00169\558 | REVISED: 02: 20: 34 11/05/2015 | BY: ENERINO |
| MTL: - | ⊙ □ | |

BALDOR

STD HORZ 143-5TC TEFC 35M WD4 W/ .75 NPT LEAD HOLE

SH 1 of 1