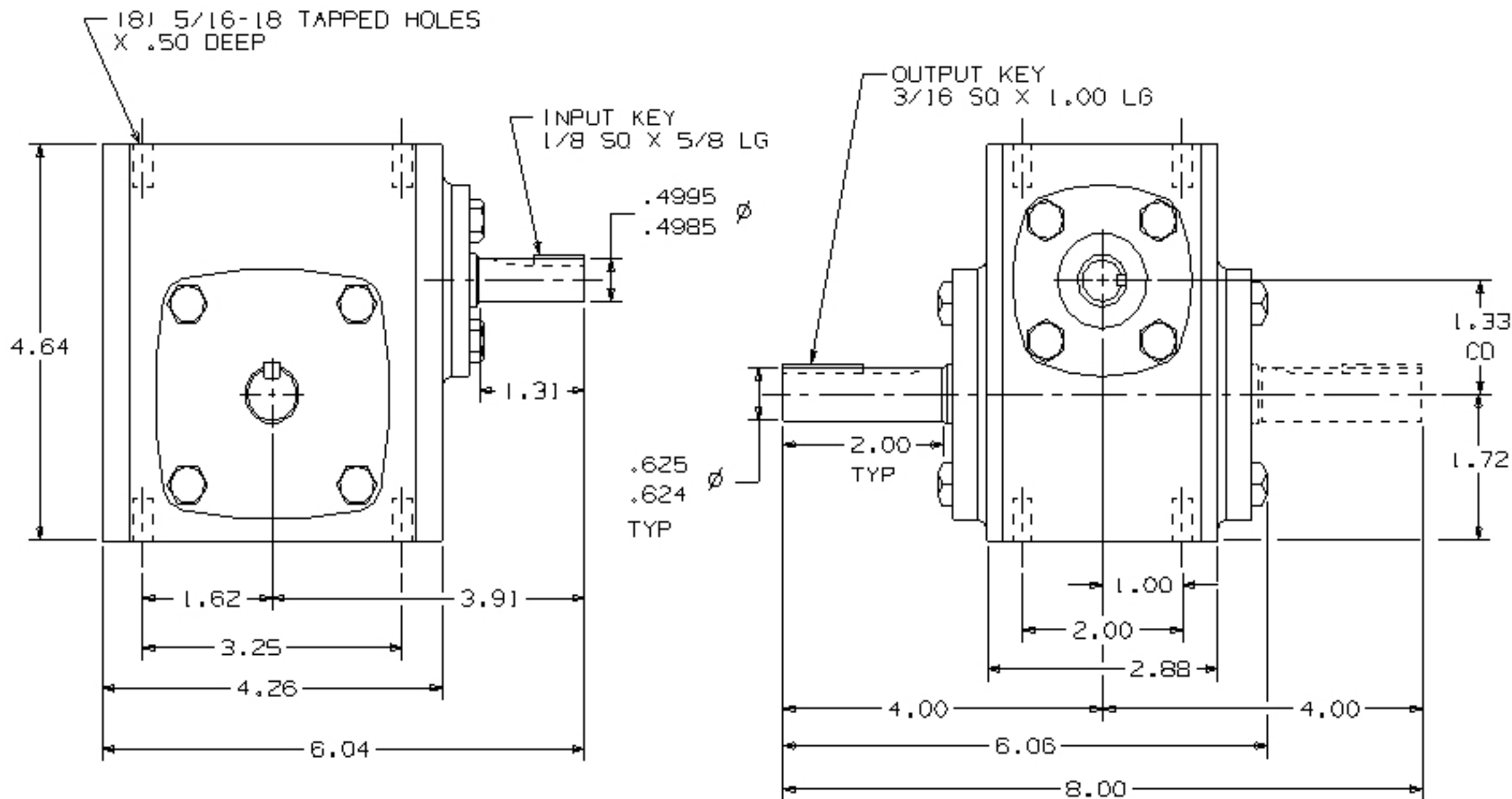


BOSTON GEAR®

713 OUTLINE DWG



OUTPUT SHAFT PROJECTIONS SHOWN ABOVE

FOR "G" ASSEMBLY - OUTPUT SHAFT SHOWN BY SOLID LINES
FOR "H" ASSEMBLY - OUTPUT SHAFT SHOWN BY SOLID AND DOTTED LINES
FOR "J" ASSEMBLY - OUTPUT SHOWN BY DOTTED LINES

DIMENSIONS TO ROUGH
CASTINGS ARE APPROXIMATE

THIS DRAWING IS THE PROPERTY OF BOSTON GEAR DIV. AND MUST NOT BE
USED IN ANY MANNER DETRIMENTAL TO THE INTERESTS OF THE COMPANY.