

PRODUCT INFORMATION PACKET



Model No: SD2S25TZY65YEH3

Catalog No: LM29664

25HP..3600RPM.160Z.ODP.575V.3PH.60HZ.ELEVATOR.NOT.70C.1.0SF.RIGID..
Elevator Duty



Regal and Leeson are trademarks of Regal Beloit Corporation or one of its affiliated companies.

©2018 Regal Beloit Corporation, All Rights Reserved. MC017097E



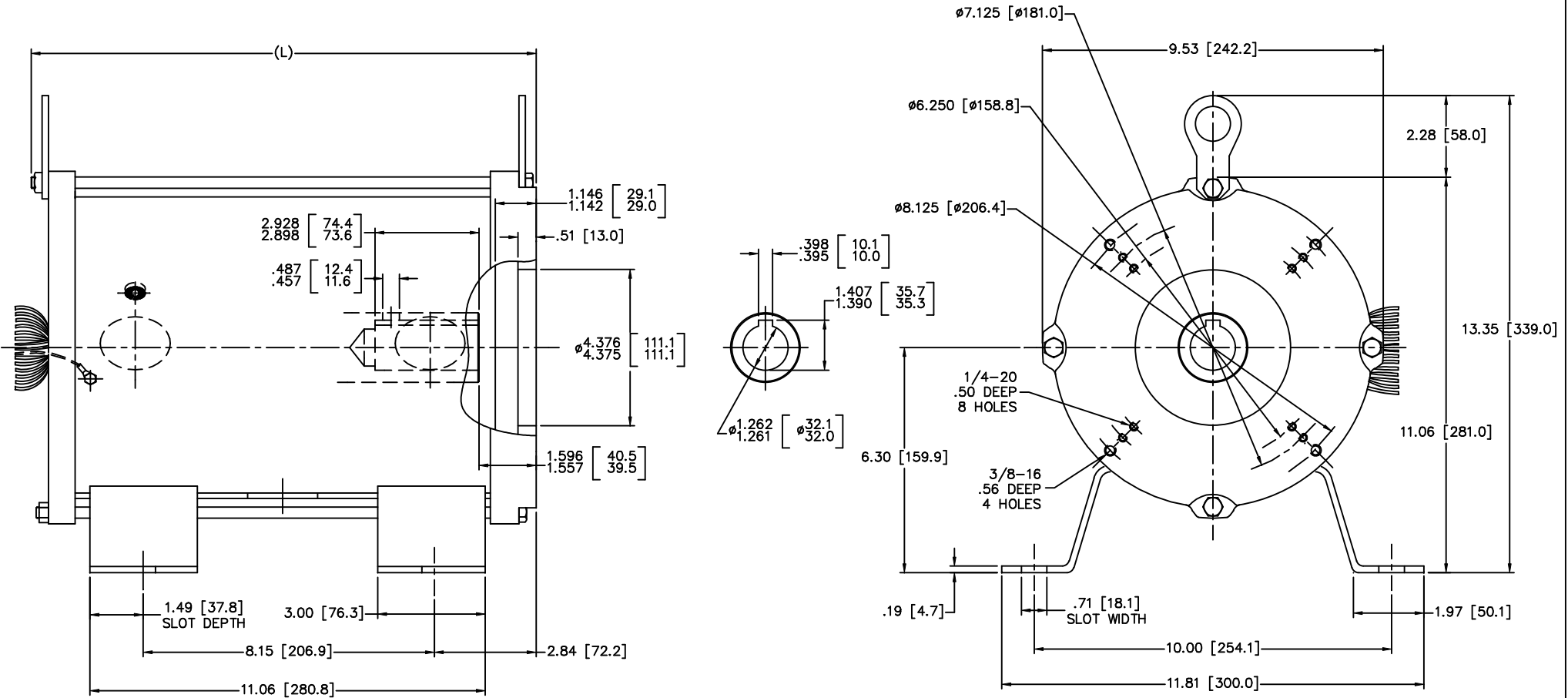


Nameplate Specifications

Output HP	25 Hp	Output KW	18.7 kW
Frequency	60 Hz	Voltage	575 V
Current	25.2 A	Speed	3490 rpm
Service Factor	1	Phase	3
Efficiency	80 %	Duty	30 Minute
Insulation Class	F	Design Code	NO DESIGN CODE
KVA Code	G	Frame	160Z
Enclosure	Open Enclosed	Overload Protector	No
Ambient Temperature	70 °C	Drive End Bearing Size	6307
Opp Drive End Bearing Size	6307	UL	Recognized
CSA	Y	CE	Y
IP Code	01		

Technical Specifications

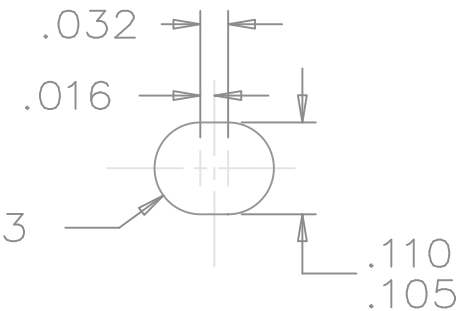
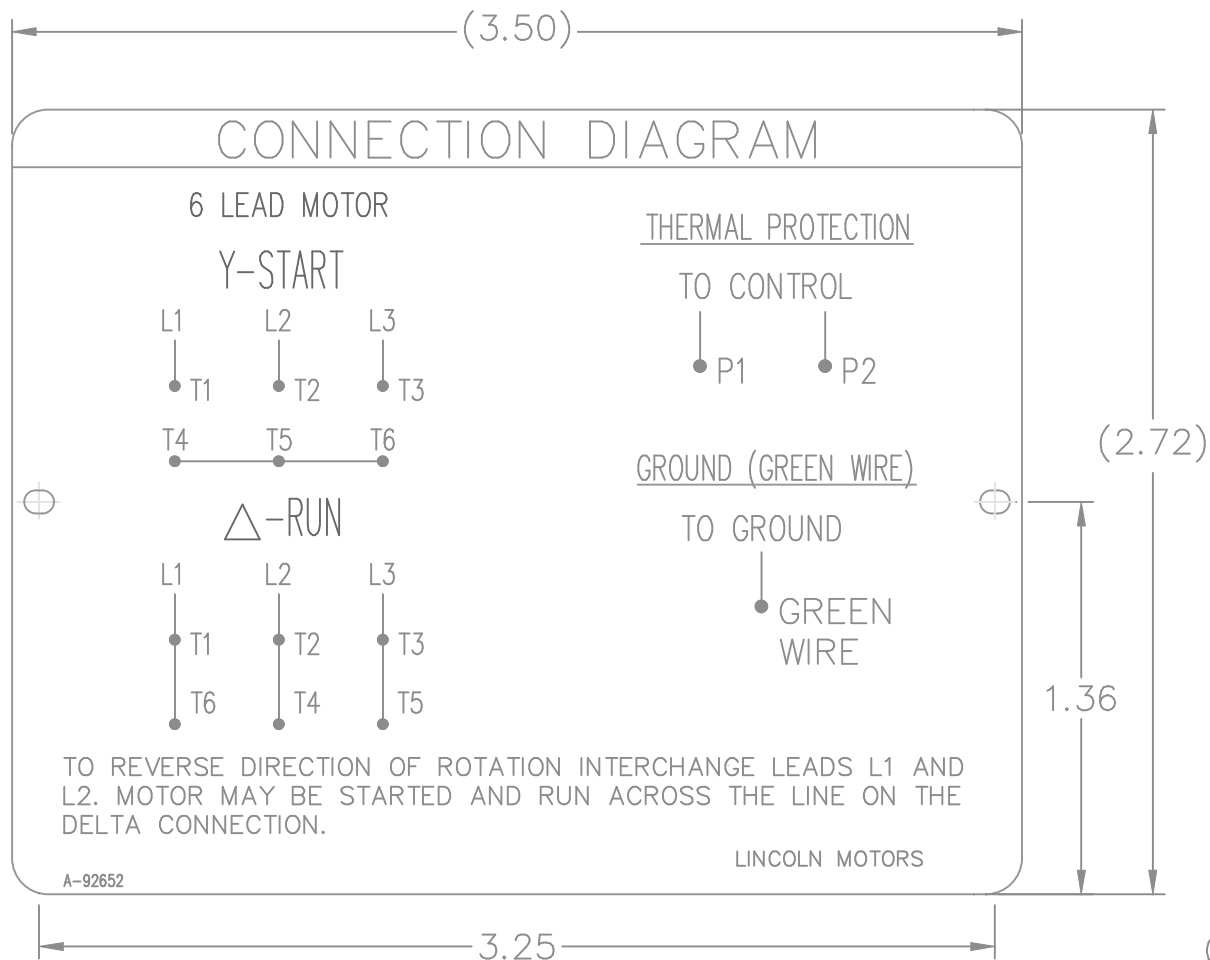
Electrical Type	Squirrel Cage Induction Run	Starting Method	Wye Start Delta Run
Poles	2	Rotation	Reversible
Mounting	Rigid base	Motor Orientation	HORIZONTAL
Drive End Bearing	BALL	Opp Drive End Bearing	BALL
Frame Material	Rolled Steel	Shaft Type	Single Special Extension
Overall Length	14.53 in	Frame Length	12.00 in
Shaft Diameter	1.250 in	Shaft Extension	2.92 in
Assembly/Box Mounting	F1/F2 CAPABLE		
Outline Drawing	0216000039	Connection Diagram	A-92652



TYPE	HP	L
160ZBS-2	15	14.53 [369.0]
160ZBS-2	20	
160ZBS-2	25	
160ZBS-2	30	
160ZBS-2	40	17.87 [454.0]
160ZBS-2	50	

(MAY NOT BE DRAWN TO SCALE)

		TOLERANCES UNLESS SPECIFIED		Lincoln MOTOR		DRAWN MSG 01-25-2007	
		DEC.	INCHES			CHK	ML 01-25-2007
		.X	±.1			APPD	GK 01-25-2007
		.XX	±.03	TITLE OUTLINE - SUBMERSIBLE ELEVATOR PUMP		SCALE	3-8
		.XXX	±.005	160ZBS FR. - 3 PHASE - DUAL DIMENSIONS		REF	
1	UPDATED TO CURRENT STANDARDS	DRS		.XXXX	±.0005	FMF	HEBEI
NO.	REVISION	BY & DATE	CHK	ANG	FINISH	PREV	
THIS DRAWING IN DESIGN AND DETAIL IS OUR PROPERTY AND MUST NOT BE USED EXCEPT IN CONNECTION WITH OUR WORK ALL RIGHTS OF DESIGN AND INVENTION ARE RESERVED THIS IS AN ELECTRONICALLY GENERATED DOCUMENT - DO NOT SCALE THIS PRINT			RFP		CAD FILE 0216000039	SIZE	DRAWING NO. PAGE OF REV.
			DIST			B	0216000039 1



NOTES:

1. MATERIAL 304 STAINLESS STEEL
2. LETTERING AND ARTWORK BLACK
3. ALL DATA MUST BE HYDRAULIC OIL RESISTANT.

				TOLERANCES UNLESS SPECIFIED			DRAWN CTO 02-18-2004					
				DEC.	INCHES		CHK	ML 02-18-2004				
				.X	±.1		APPD	MS 02-18-2004				
				.XX	±.02		SCALE 1.5=1					
				.XXX	±.005		REF					
				.XXX	±.005	MAT'L. 304 STAINLESS STEEL						
				.XXXX	±.0005	FINISH						
NO.	REVISION	BY & DATE	CHK	ANG	±7'30"	PREV						
THIS DRAWING IN DESIGN AND DETAIL IS OUR PROPERTY AND MUST NOT BE USED EXCEPT IN CONNECTION WITH OUR WORK ALL RIGHTS OF DESIGN AND INVENTION ARE RESERVED THIS IS AN ELECTRONICALLY GENERATED DOCUMENT - DO NOT SCALE THIS PRINT				RFP	02-18-2004	CAD FILE 92652		SIZE	DRAWING NO.	PAGE	OF	REV.
				DIST	WA			A	92652			



P.O. BOX 8003
WAUSAU, WI 54401-8003
PH. 715-675-3311

DATA VOLTS: 460

CERTIFICATION DATA SHEET

CONN. DIAGRAM A-92652
OUTLINE: 0216000039
WINDING: 2152206

CAT #:

LM29664

NONE 2

TYPICAL MOTOR PERFORMANCE DATA

HP	KW	SYNC RPM	FL RPM	FRAME	ENCLOSURE	TYPE	KVA CODE	DESIGN	
25	18.7	3600	3515	160M	OPEN	TDR	G	B	
PH	HZ	VOLTS	AMPS	START TYPE	DUTY	INSL	S.F.	AMB	ELEV.
3	60	575	252	VE/START DELTA RUD	30 MIN	F	1.15	70	3300

F.L. EFF	88.5	3/4 LD EFF	89.5	1/2 LD EFF	88.5	GTD EFF	77.0	ELECT. TYPE	SC CAGE IND RUN
F.L. PF	83.5	3/4 LD PF	77.5	1/2 LD PF	65.0				

F.L. TORQUE	LR AMPS @ 460 V	L.R. TORQUE	60.0 LB-FT	160%	100 LB-FT	B.D. TORQUE	267%	F.L. RISE (°C)	0
37.5 LB-FT	180								

PRESSURE @	POWER	ROTOR WK²	0.00 LB-FT²	MAX. LOAD WK²	0 LB-FT²	SAFE STALL TIME	0 SEC.	STARTS/HOUR	80	MOTOR WGT	0 LB.
999 DBA	1008 DBA										

*** SUPPLEMENTAL INFORMATION ***

DE BRACKET TYPE	ODE BRACKET TYPE	MOUNT TYPE	MOTOR ORIENTATION	SEVERE DUTY	HAZARDOUS LOCATION	DRIP COVER	SCREENS	PAINT
STANDARD	STANDARD	RIGID	HORIZONTAL	NO	NONE	NO	NONE	GRAY - LINCOLN

BEARINGS	GREASE	SHAFT TYPE	SPECIAL DE	SPECIAL ODE	SHAFT	MATERIAL	FRAME MATERIAL
DE ODE							
BALL BALL	POLYREX EM	SGL SPL EXT	ELEVATOR MOTOR SH	NONE		AIISI 1045 (C-240)	ROLLED STEEL
NONE NONE							

THERMOSTATS	PROTECTORS	WDG RTD's	BRG RTD's	THERMOSTATS	CONTROL	SPACE HEATERS
TSTATS (N/C)	NOT	NONE	NONE	NONE	FALSE	NA

R1 (ohms/ph)	0	R2 (ohms/ph)	0	X1 (ohms/ph)	0	X2 (ohms/ph)	0	Xm (ohms/ph)	0	VIBRATION (in/sec)	0.150	FLOAT	ODE
--------------	---	--------------	---	--------------	---	--------------	---	--------------	---	--------------------	-------	-------	-----

* N O T E S *	INVERTER TORQUE: NONE		ENCODER: NONE	NONE	BRAKE: NONE	NONE	NONE	NONE
	INV. HP SPEED RANGE: NONE		NONE	NONE	NONE	NONE	NONE	NONE PPR

DATE: 1/31/2018	UL: V/MS. CONST UL REC	VOLTAGE: NONE	FT-LB: NA	NONE	HZ: NONE
-----------------	------------------------	---------------	-----------	------	----------

Data Sheet

Date: 1/31/2018

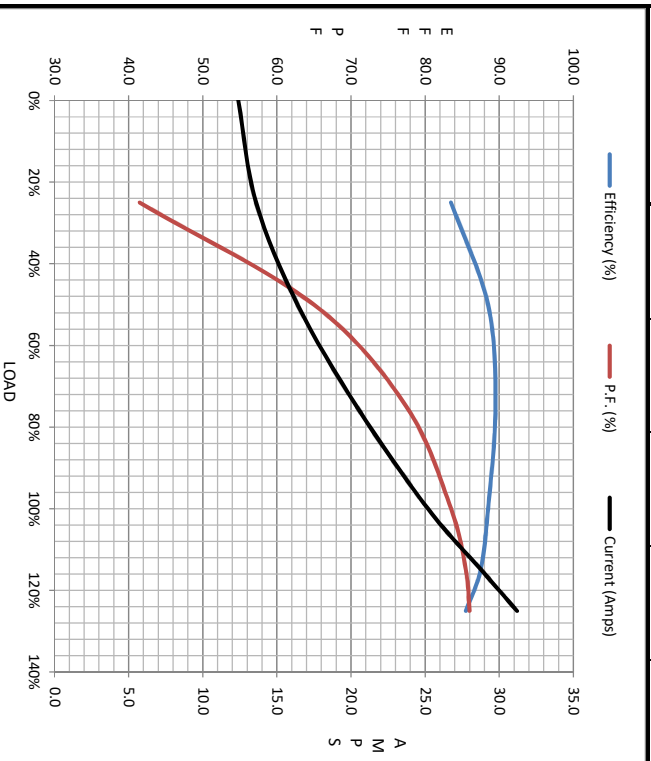
LM29664



Data @ 575 V

Motor Load Data						
Load	0%	25%	50%	75%	100%	LR
Current (Amps)	12.4	13.6	16.4	20.4	25.2	180
Torque (ft-lb)	0.00	9.0	18.5	28.0	37.5	43.0
RPM	3600	3580	3560	3535	3515	3485
Efficiency (%)		83.5	88.5	89.5	88.5	85.5
P.F. (%)		41.5	65.0	77.5	83.5	85.0

Motor Speed Data						
	LR	Pull-Up	BD	Rated	Idle	
Speed (RPM)	0	1800	3000	3515	3600	Information Block
Current (Amps)	180	160	120	25.2	12.4	HP 25.0
Torque (ft-lb)	60.0	55.0	100	37.5	0.00	Sync. RPM 3600
						Frame 160
						Enclosure OPEN
						Construction TDR
						Voltage 575 V
						Frequency 60 Hz
						Design A
						LR Code letter G
						Service Factor 1.15
						Temp Rise @ FL 0 °C
						Duty 30 MIN
						Ambient 40 °C
						Elevation 1,000 feet
						Rotor/Shaft wk ² 0.00 Lb-Ft ²
						Ref Wdg 2152206 NONE
						Sound Pressure @ 1M 999 dBA
						VFD Rating NONE
						Outline Dwg 0216000039
						Conn. Diag A-92652
						Additional Specifications:
						0
						EQUIV CKT (OHMS / PHASE)
						R1 R2 X1 X2 Xm
						0.0000 0.0000 0.0000 0.0000 0.0000



Information Block				
HP	25.0			
Sync. RPM	3600			
Frame	160			
Enclosure	OPEN			
Construction	TDR			
Voltage	575			V
Frequency	60			Hz
Design	A			
LR Code letter	G			
Service Factor	1.15			
Temp Rise @ FL	0			°C
Duty	30 MIN			
Ambient	40			°C
Elevation	1,000			feet
Rotor/Shaft wk ²	0.00			Lb-Ft ²
Ref Wdg	2152206	NONE		
Sound Pressure @ 1M	999			dBA
VFD Rating	NONE			
Outline Dwg	0216000039			
Conn. Diag	A-92652			
Additional Specifications:				
	0			

