

PRODUCT INFORMATION PACKET



Model No: CM38T17FZ22A

Catalog No: M1145146.00

..3/8HP..29RPM.38.TEFC./208-230V.3PH.60HZ.....CM38T17FZ22A.13...60:1.WASHDOWN
DUTY..220LBIN.....

Washguard



Regal and Leeson are trademarks of Regal Beloit Corporation or one of its affiliated companies.

©2018 Regal Beloit Corporation, All Rights Reserved. MC017097E





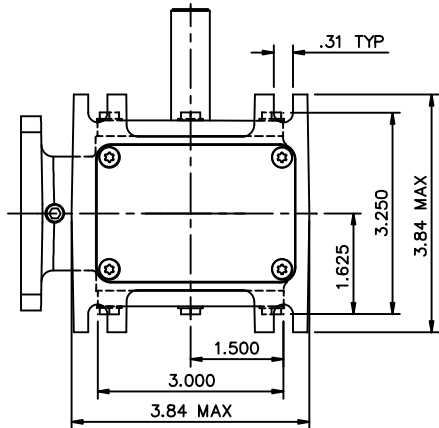
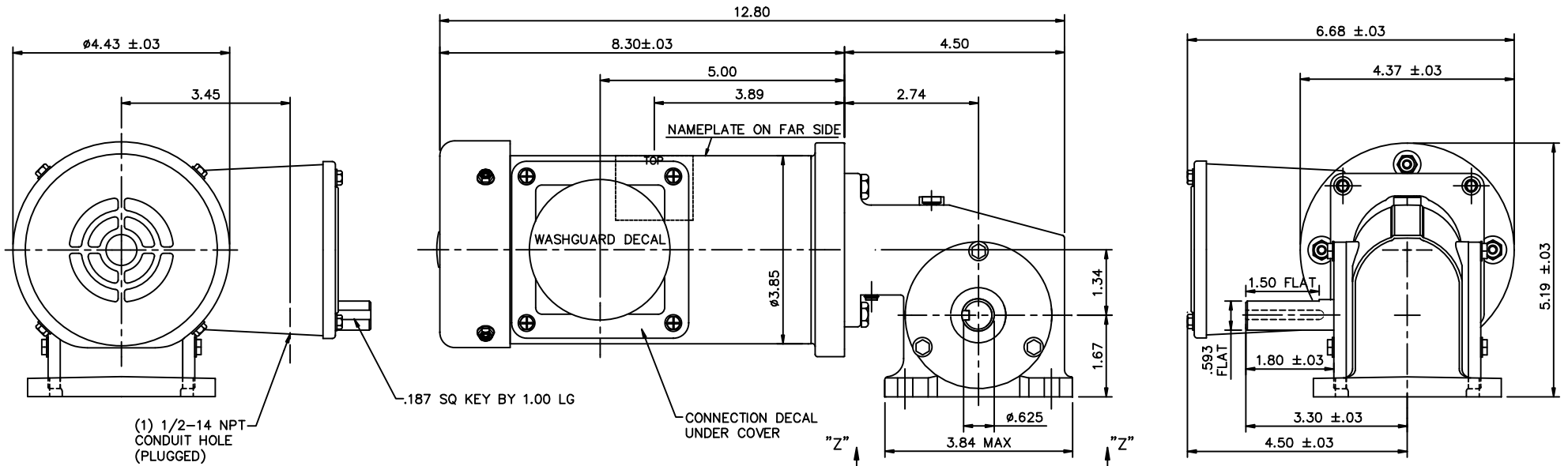
Nameplate Specifications

Output HP	0.38 Hp	Output KW	0.28 kW
Frequency	60 Hz	Voltage	190 V
Current	1.4-1.3 A	Speed	29 rpm
Service Factor	1	Phase	3
Duty	Continuous	Insulation Class	F
KVA Code	G	Frame	38
Enclosure	Totally Enclosed Fan Cooled	Overload Protector	No
Ambient Temperature	40 °C	Drive End Bearing Size	6201
Opp Drive End Bearing Size	6201	UL	Recognized
CSA	Y	CE	N

Technical Specifications

Rotation	Reversible	Mounting	Special
Shaft Type	Right Angle	Overall Length	12.80 in
Frame Length	6.38 in	Shaft Diameter	0.625 in
Shaft Extension	1.8 in		
Outline Drawing	OLM1145146-M1145146	Connection Diagram	005102.01

This is an uncontrolled document once printed or downloaded and is subject to change without notice. Date Created: 10/15/2018



VIEW "Z-Z"

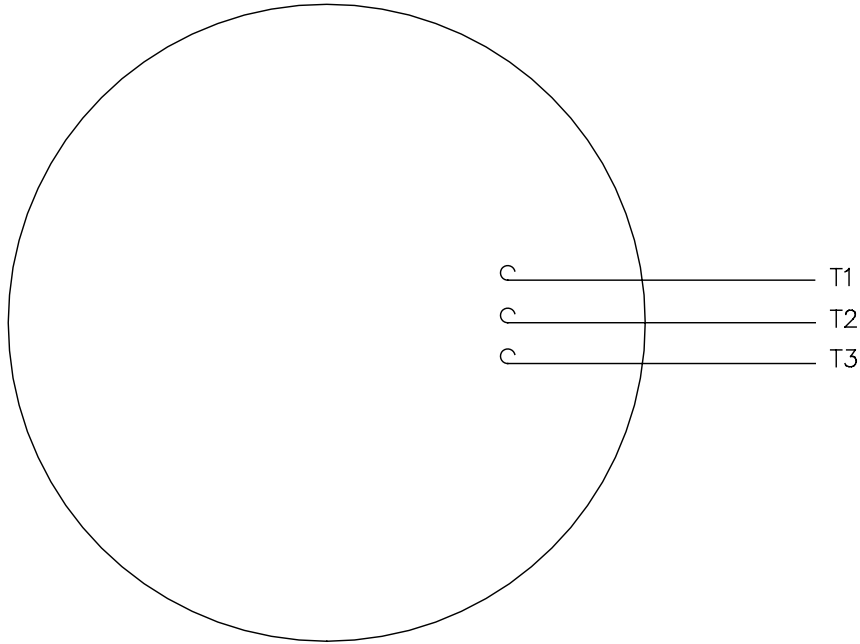
CATALOG NUMBER	SPEED RANGE RPM	FULL LOAD TORQUE LB.-IN.	INPUT HP	OVERHUNG LOAD LBS.	GEARMOTOR TYPE & FRAME	RATIO TO 1
M1145146.00	29	238	3/8	235	13F60-38F	60

- NOTES:
 1) O-RINGS BETWEEN FRAME AND ENDBELLS.
 2) GASKETS THROUGHOUT.

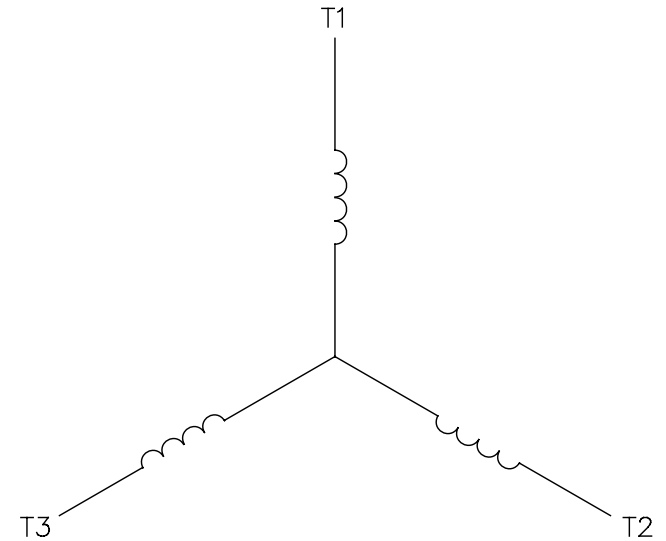
		TOLERANCES UNLESS SPECIFIED		LEESON	ELECTRIC MOTORS GEARMOTORS AND DRIVES	DRAWN SRS 12/16/08
		DEC.	INCHES			CHK
		.X	±.1	TITLE		APPD
		.XX	±.03	OUTLINE DRAWING		SCALE 1=2
		.XXX	±.005	13 SERIES - 38 FRAME WASHGUARD		REF M1030422.00
01	ADDED LOCATION OF 1/2-14 NPT ISAAC 10-4079	GWS	6/14/11	.XXXX	±.0005	MAT'L
NO.	REVISION	BY & DATE	CHK	ANG	±1/2'	FINISH
THIS DRAWING IN DESIGN AND DETAIL IS OUR PROPERTY AND MUST NOT BE USED EXCEPT IN CONNECTION WITH OUR WORK ALL RIGHTS OF DESIGN AND INVENTION ARE RESERVED THIS IS AN ELECTRONICALLY GENERATED DOCUMENT - DO NOT SCALE THIS PRINT				RFP	CAD FILE	OLM1145146
				SIZE	DRAWING NO.	REV.
				B	OLM1145146	01

005102-01

VIEW FROM OUTSIDE OF MOTOR AT SWITCH END.



LINE LEADS



CONNECT LEADS AS FOLLOWS
FOR FOUR CONDUCTOR CORD ()

CORD	L1 (RED)	L2 (WHITE)	L3 (BLACK)	(GREEN)
MOTOR	T1	T2	T3	GROUND

				TOLERANCES UNLESS SPECIFIED		REGAL™ Regal Beloit America, Inc.		DRAWN JRW 9/11/75		
				DEC.	INCHES			CHK		
				.X	±.1			APPD JCW 9/11/75		
08	UPDATED TO REGAL LOGO	SAJ 06/26/15	AJY	.XX	±.01	TITLE EXTERNAL WIRING DIAGRAM TYPE "T" W/O PROTECTOR		SCALE 1=1		
07	UPDATED TO CURRENT STANDARDS	DBT 5/30/97		.XXX	±.005			REF W-T6343-6		
06	REDRAWN ON CAD; ADDED DECAL NUMBER	SAW 1/24/95		.XXXX	±.0005			FMF 6T17FB7		
NO.	REVISION	BY & DATE	CHK	ANG	±1/2"	FINISH		PREV		
THIS DRAWING IN DESIGN AND DETAIL IS OUR PROPERTY AND MUST NOT BE USED EXCEPT IN CONNECTION WITH OUR WORK ALL RIGHTS OF DESIGN AND INVENTION ARE RESERVED THIS IS AN ELECTRONICALLY GENERATED DOCUMENT - DO NOT SCALE THIS PRINT				RFP	5/1/02	CAD FILE 00510201		SIZE	DRAWING NO.	REV.
				DIST BRF-NLV				A	005102-01	08