

PRODUCT INFORMATION PACKET



Model No: CM38T17FZ23A

Catalog No: M1145147.00

..3/8HP..172RPM.38.TEFC./208-230V.3PH.60HZ.....CM38T17FZ23A.13...10:1.WASHDOWN
DUTY..105LBIN.....

Washguard



Regal and Leeson are trademarks of Regal Beloit Corporation or one of its affiliated companies.

©2018 Regal Beloit Corporation, All Rights Reserved. MC017097E





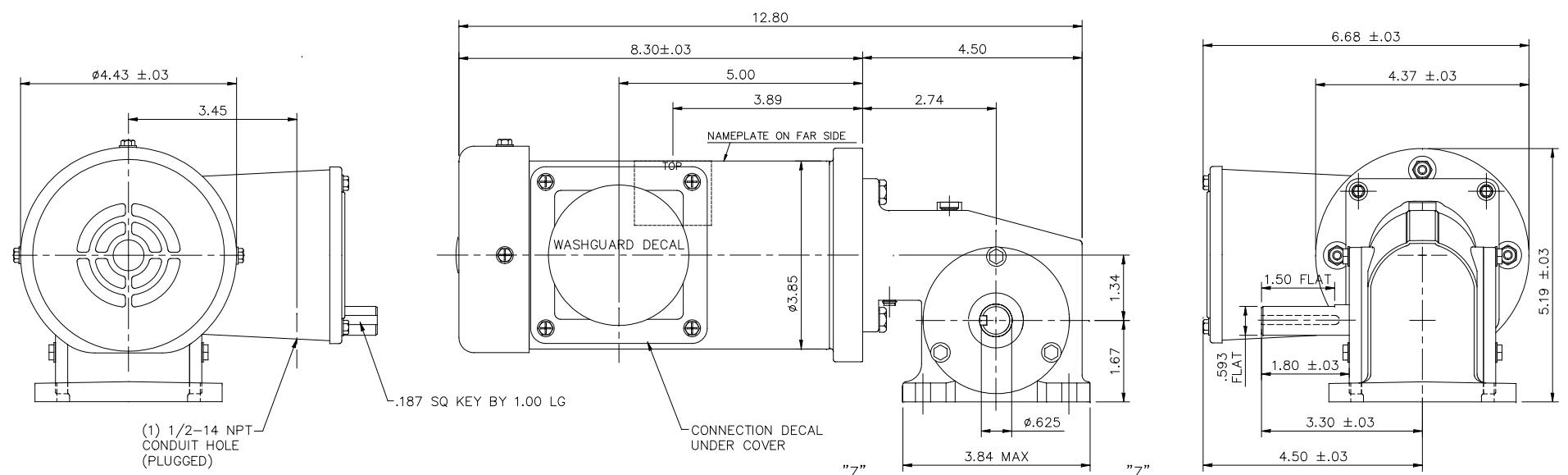
Nameplate Specifications

Output HP	0.38 Hp	Output KW	0.28 kW
Frequency	60 Hz	Voltage	190 V
Current	1.4-1.3 A	Speed	172 rpm
Service Factor	1	Phase	3
Duty	Continuous	Insulation Class	F
KVA Code	G	Frame	38
Enclosure	Totally Enclosed Fan Cooled	Overload Protector	No
Ambient Temperature	40 °C	Drive End Bearing Size	6201
Opp Drive End Bearing Size	6201	UL	Recognized
CSA	Y	CE	N

Technical Specifications

Rotation	Reversible	Mounting	Special
Shaft Type	Right Angle	Overall Length	12.80 in
Frame Length	6.38 in	Shaft Diameter	0.625 in
Shaft Extension	1.5 in		
Outline Drawing	OLM1145147-M1145147	Connection Diagram	005102.01

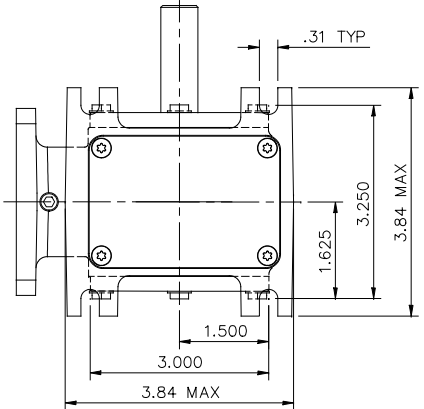
This is an uncontrolled document once printed or downloaded and is subject to change without notice. Date Created: 10/15/2018



(1) 1/2-14 NPT CONDUIT HOLE (PLUGGED)

.187 SQ KEY BY 1.00 LG

CONNECTION DECAL UNDER COVER



VIEW "Z-Z"

CATALOG NUMBER	SPEED RANGE RPM	FULL LOAD TORQUE LB.-IN.	INPUT HP	OVERHUNG LOAD LBS.	GEARMOTOR TYPE & FRAME	RATIO TO 1
M1145147.00	172	105	3/8	235	13F10-38F	10

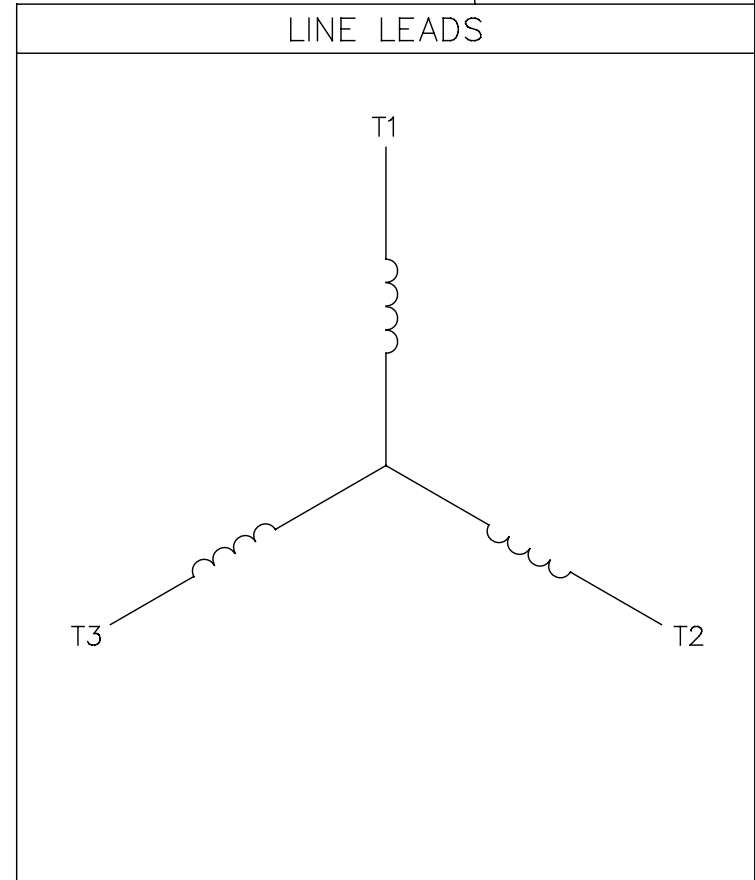
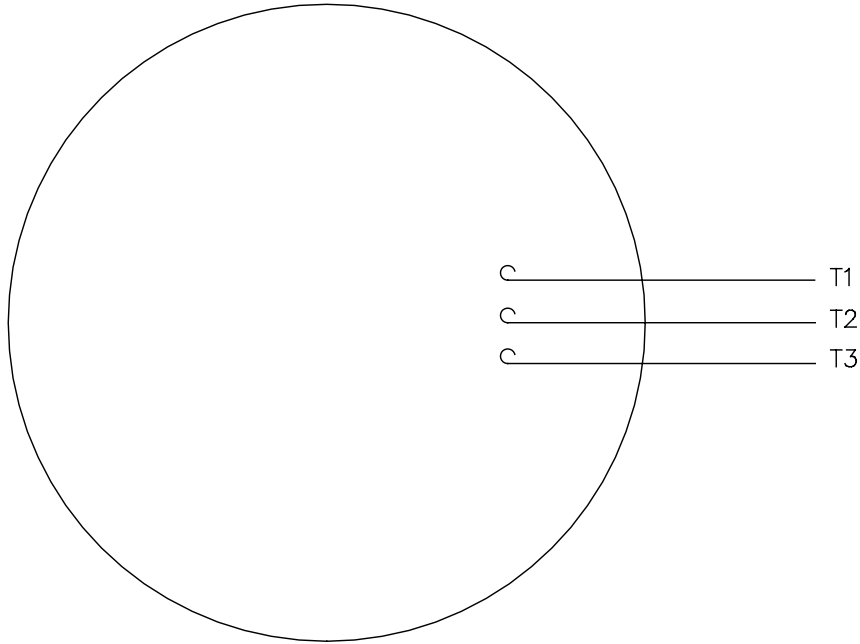
NOTES:
 1) O-RINGS BETWEEN FRAME AND ENDBELLS.
 2) GASKETS THROUGHOUT.

ORACLE REV	002
------------	-----

		TOLERANCES UNLESS SPECIFIED		TITLE	ELECTRIC MOTORS GEARMOTORS AND DRIVES	DRAWN SRS 12/16/08
DEC.	INCHES	DEC.	INCHES			
		.X	±.1	OUTLINE DRAWING R13 SERIES - 38 FRAME WASHGUARD	LEESON	CHK
		.XX	±.03			APPD
		.XXX	±.005			SCALE 1=2
		.XXXX	±.0005			REF M1030422.00
E	CHG NO. OF FANGUARD MTG SCREWS PER ECO-0149815	ARV	7/30/18	MAT'L.	REF	FMF M1145147.00
	REVISION	BY & DATE	CHK	FINISH	PREV	
THIS DRAWING IN DESIGN AND DETAIL IS OUR PROPERTY AND MUST NOT BE USED EXCEPT IN CONNECTION WITH OUR WORK ALL RIGHTS OF DESIGN AND INVENTION ARE RESERVED THIS IS AN ELECTRONICALLY GENERATED DOCUMENT - DO NOT SCALE THIS PRINT				RFP	CAD FILE	OLM1145147
				DIST	SIZE	DRAWING NO.
					B	OLM1145147
						REV. E

005102-01

VIEW FROM OUTSIDE OF MOTOR AT SWITCH END.



CONNECT LEADS AS FOLLOWS
FOR FOUR CONDUCTOR CORD ()

CORD	L1 (RED)	L2 (WHITE)	L3 (BLACK)	(GREEN)
MOTOR	T1	T2	T3	GROUND

				TOLERANCES UNLESS SPECIFIED		REGAL™ Regal Beloit America, Inc.		DRAWN JRW 9/11/75		
				DEC.	INCHES			CHK		
				.X	±.1			APPD JCW 9/11/75		
08	UPDATED TO REGAL LOGO	SAJ 06/26/15	AJY	.XX	±.01	TITLE EXTERNAL WIRING DIAGRAM TYPE "T" W/O PROTECTOR		SCALE 1=1		
07	UPDATED TO CURRENT STANDARDS	DBT 5/30/97		.XXX	±.005			REF W-T6343-6		
06	REDRAWN ON CAD; ADDED DECAL NUMBER	SAW 1/24/95		.XXXX	±.0005			FMF 6T17FB7		
NO.	REVISION	BY & DATE	CHK	ANG	±1/2"	FINISH		PREV		
THIS DRAWING IN DESIGN AND DETAIL IS OUR PROPERTY AND MUST NOT BE USED EXCEPT IN CONNECTION WITH OUR WORK ALL RIGHTS OF DESIGN AND INVENTION ARE RESERVED THIS IS AN ELECTRONICALLY GENERATED DOCUMENT - DO NOT SCALE THIS PRINT				RFP	5/1/02	CAD FILE 00510201		SIZE	DRAWING NO.	REV.
				DIST	BRF-NLV			A	005102-01	08