

**Climax Metal Products Company**

8141 Tyler Boulevard
Mentor, Ohio 44060
USA

Toll free: 800-542-6552

Phone: 440-585-0300

Fax: 800-860-5553

Email: sales@climaxmetal.com

Website: www.climaxmetal.com

ITEM # C-018, SET SCREW COLLAR C-SERIES

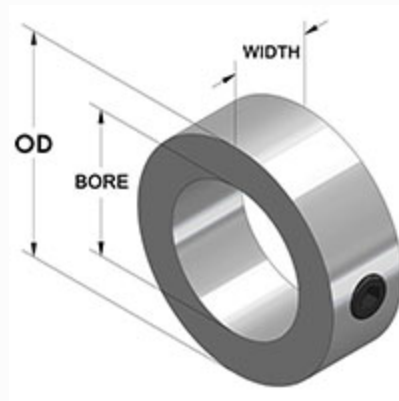
Zinc Plated Steel Set Screw Collar. Traditional cost effective collar design.



[Drawing](#) | [Specifications](#) |

Drawing

Dimensional Drawing



Set Screw Collar

Specifications

Bore	3/16 in
OD	7/16 in
Width	1/4 in
Style	Set Screw
Material	Steel, ASTM A108
Finish	Zinc Plated
Set Screw	Hex Socket Set Screw, 3A Thread, Steel, ASTM F912: 8-32 x 1/8
Approximate Weight	0.10 oz
UPC Code	044861032893
Downloads	Catalog Page

Competitor Part Number

Alternate Part Number	0402912
	101785062
	1570401
	175D08200
	227240
	227242
	227243
	227247
	4270099
	6432K19
	87986121
	C018
	LSC3
	LSC-3
	MA1570401
	SC18
	SC-3-FZ