

**Climax Metal Products Company**

8141 Tyler Boulevard
Mentor, Ohio 44060
USA

Toll free: 800-542-6552

Phone: 440-585-0300

Fax: 800-860-5553

Email: sales@climaxmetal.com

Website: www.climaxmetal.com

ITEM # C-050-DT, SET SCREW COLLAR C-SERIES

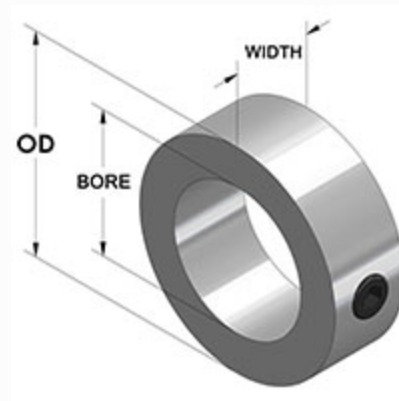
Unplated Steel Set Screw Collar. Traditional cost effective collar design.



[Drawing](#) | [Specifications](#) |

Drawing

Dimensional Drawing



Set Screw Collar

Specifications

Bore	1/2 in
OD	1 in
Width	7/16 in
Style	Set Screw
Material	Steel, ASTM A108
Finish	Plain
Set Screw	Hex Socket Set Screw, 3A Thread, Steel, ASTM F912: 1/4-20 x 1/4
Approximate Weight	1.10 oz
UPC Code	044861001608
Downloads	Catalog Page

Competitor Part Number

Alternate Part Number	101782325 1570742 175D08405 227306 228041 34206 6L008 C050DT
------------------------------	---