

**Climax Metal Products Company**

8141 Tyler Boulevard  
Mentor, Ohio 44060  
USA

Toll free: 800-542-6552

Phone: 440-585-0300

Fax: 800-860-5553

Email: [sales@climaxmetal.com](mailto:sales@climaxmetal.com)

Website: [www.climaxmetal.com](http://www.climaxmetal.com)

## ITEM # C-006, SET SCREW COLLAR C-SERIES

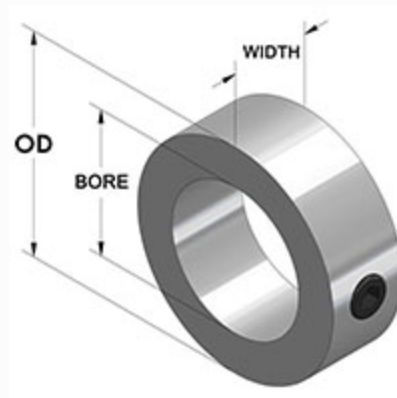
Zinc Plated Steel Set Screw Collar. Traditional cost effective collar design.



[Drawing](#) | [Specifications](#) |

### Drawing

#### Dimensional Drawing



Set Screw Collar

### Specifications

<b>Bore</b>	1/16 in
<b>OD</b>	1/4 in
<b>Width</b>	3/16 in
<b>Style</b>	Set Screw
<b>Material</b>	Steel, ASTM A108
<b>Finish</b>	Zinc Plated
<b>Set Screw</b>	Hex Socket Set Screw, 3A Thread, Steel, ASTM F912: 2-56 x 1/8
<b>Approximate Weight</b>	0.30 oz
<b>UPC Code</b>	044861005088
<b>Downloads</b>	<a href="#">Catalog Page</a>

### Competitor Part Number

<b>Alternate Part Number</b>	0403906 101949420 175D30850 2758536 2774502 6432K71 C006 SC-1-FZ
------------------------------	---