

**Climax Metal Products Company**

8141 Tyler Boulevard
Mentor, Ohio 44060
USA

Toll free: 800-542-6552

Phone: 440-585-0300

Fax: 800-860-5553

Email: sales@climaxmetal.com

Website: www.climaxmetal.com

ITEM # C-043-DT, SET SCREW COLLAR C-SERIES

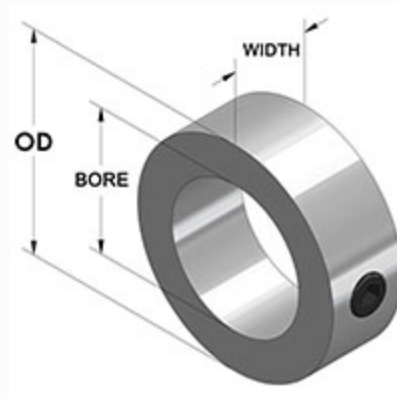
Unplated Steel Set Screw Collar. Traditional cost effective collar design.



[Drawing](#) | [Specifications](#) |

Drawing

Dimensional Drawing



Set Screw Collar

Specifications

Bore	7/16 in
OD	7/8 in
Width	7/16 in
Style	Set Screw
Material	Steel, ASTM A108
Finish	Plain
Set Screw	Hex Socket Set Screw, 3A Thread, Steel, ASTM F912: 1/4-20 x 1/4
Approximate Weight	0.80 oz
UPC Code	044861001509
Downloads	Catalog Page

Competitor Part Number

Alternate Part Number	0403456 101781118 1570741 175D08421 227295 228058 6L007 C043DT
------------------------------	---