

**Climax Metal Products Company**

8141 Tyler Boulevard

Mentor, Ohio 44060

USA

Toll free: 800-542-6552

Phone: 440-585-0300

Fax: 800-860-5553

Email: sales@climaxmetal.comWebsite: www.climaxmetal.com

ITEM # MC-15, METRIC SET SCREW COLLAR MC-SERIES

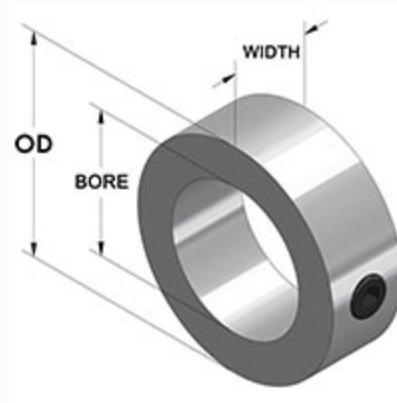
Black Oxide Plated Steel Metric Set Screw Collar. Traditional cost effective collar design.



[Drawing](#) | [Specifications](#) |

Drawing

Dimensional Drawing



Metric Set Screw Collar

Specifications

Bore	15 mm
OD	1 in
Width	12 mm
Style	Set Screw
Material	Steel, ASTM A108
Finish	Black Oxide
Set Screw	Hex Socket Set Screw, Steel: M6 x 6
Approximate Weight	1.00 oz
UPC Code	044861600153
Downloads	Catalog Page

Competitor Part Number

Alternate Part Number	0403087
	101784324
	1570790
	175D50120
	2337387
	244041
	35464122
	57485K72
	8699207
	MA1570790
	MC15
	MSC15F
	MSC-15-F