

**Climax Metal Products Company**

8141 Tyler Boulevard

Mentor, Ohio 44060

USA

Toll free: 800-542-6552

Phone: 440-585-0300

Fax: 800-860-5553

Email: sales@climaxmetal.comWebsite: www.climaxmetal.com

ITEM # C-012-S, SET SCREW COLLAR C-SERIES

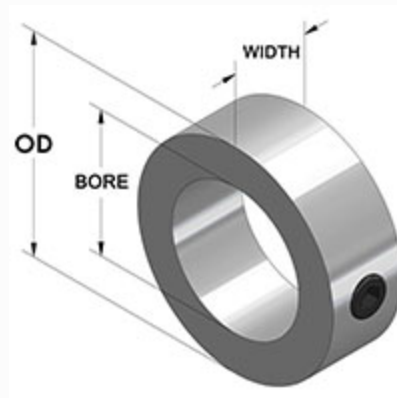
Stainless Steel Set Screw Collar. Traditional cost effective collar design.



[Drawing](#) | [Specifications](#) |

Drawing

Dimensional Drawing



Set Screw Collar

Specifications

| | |
|---------------------------|---|
| Bore | 1/8 in |
| OD | 3/8 in |
| Width | 1/4 in |
| Style | Set Screw |
| Material | Stainless Steel, ASTM A582 |
| Finish | Plain |
| Set Screw | Hex Socket Set Screw, 3A Thread, Stainless Steel, ASTM F880: 6-32 x 1/8 |
| Approximate Weight | 0.10 oz |
| UPC Code | 044861090121 |
| Downloads | Catalog Page |

Competitor Part Number

Alternate Part Number

0402951
 101782017
 1570400
 175D08303
 227807
 227808
 227810
 227811
 2AEB6
 35465285
 4270586
 6462K17
 6S002
 C012S
 LSC-2 SS
 LSC2SS
 MA1570400
 SC-2-SS
 SSC12