

**Climax Metal Products Company**

8141 Tyler Boulevard

Mentor, Ohio 44060

USA

Toll free: 800-542-6552

Phone: 440-585-0300

Fax: 800-860-5553

Email: [sales@climaxmetal.com](mailto:sales@climaxmetal.com)Website: [www.climaxmetal.com](http://www.climaxmetal.com)

## ITEM # 1C-018, ONE-PIECE CLAMPING COLLAR 1C-SERIES

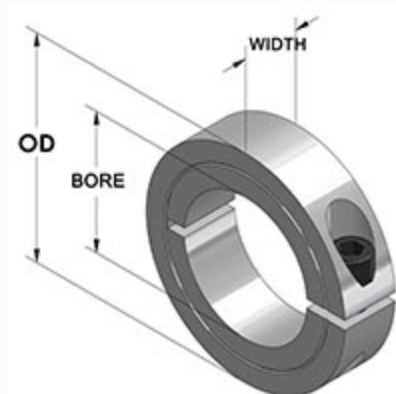
Black Oxide Steel One-Piece Clamping Collar. Design fully engages the shaft without marring. Greater axial holding power than set screw collars. Effective on hard & soft shafts.



[Drawing](#) | [Specifications](#) |

### Drawing

#### Dimensional Drawing



One-Piece Clamping Collar

### Specifications

<b>Bore</b>	3/16 in
<b>OD</b>	11/16 in
<b>Width</b>	5/16 in
<b>Style</b>	One-Piece Clamp
<b>Material</b>	Steel, ASTM A108
<b>Finish</b>	Black Oxide
<b>Clamp Screw</b>	Hex Socket Cap Screw, 3A Thread, Steel, ASTM A574: 4-40 x 3/8
<b>Recessed Screw</b>	No
<b>Approximate Weight</b>	0.43 oz
<b>UPC Code</b>	044861149850
<b>Downloads</b>	<a href="#">Catalog Page</a>

### Competitor Part Number

### Alternate Part Number

101781973  
 15004  
 1570237  
 175D49001  
 1C018  
 242483  
 242485  
 242486  
 2997204  
 2AKU2  
 34260  
 35460013  
 4279522  
 6435K51  
 7L003  
 CL-3-F  
 SC13  
 SC1-3