

**Climax Metal Products Company**

8141 Tyler Boulevard

Mentor, Ohio 44060

USA

Toll free: 800-542-6552

Phone: 440-585-0300

Fax: 800-860-5553

Email: sales@climaxmetal.comWebsite: www.climaxmetal.com

ITEM # C-106, SET SCREW COLLAR C-SERIES

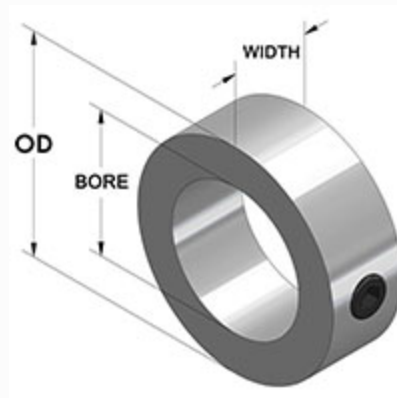
Zinc Plated Steel Set Screw Collar. Traditional cost effective collar design.



[Drawing](#) | [Specifications](#) |

Drawing

Dimensional Drawing



Set Screw Collar

Specifications

Bore	1 1/16 in
OD	1 3/4 in
Width	5/8 in
Style	Set Screw
Material	Steel, ASTM A108
Finish	Zinc Plated
Set Screw	Hex Socket Set Screw, 3A Thread, Steel, ASTM F912: 5/16-18 x 5/16
Approximate Weight	4.10 oz
UPC Code	044861032916
Downloads	Catalog Page

Competitor Part Number -

Alternate Part Number

0402926
 101417130
 175D08215
 214645
 227397
 227399
 227400
 227404
 4270390
 4959712
 6432K37
 87987004
 C106
 LSC17
 LSC-17
 MA1570433
 SC106
 SC-17-FZ