

**Climax Metal Products Company**

8141 Tyler Boulevard

Mentor, Ohio 44060

USA

Toll free: 800-542-6552

Phone: 440-585-0300

Fax: 800-860-5553

Email: sales@climaxmetal.comWebsite: www.climaxmetal.com

ITEM # C-112-BO, SET SCREW COLLAR C-SERIES

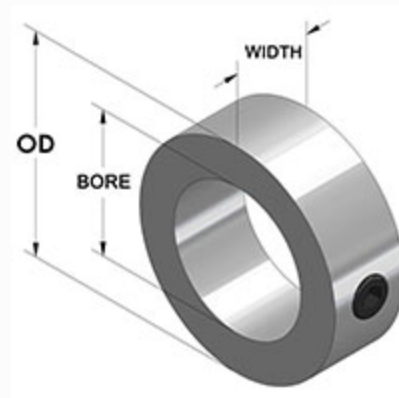
Black Oxide Plated Steel Set Screw Collar. Traditional cost effective collar design.



[Drawing](#) | [Specifications](#) |

Drawing

Dimensional Drawing



Set Screw Collar

Specifications

Bore	1 1/8 in
OD	1 3/4 in
Width	5/8 in
Style	Set Screw
Material	Steel, ASTM A108
Finish	Black Oxide
Set Screw	Hex Socket Set Screw, 3A Thread, Steel, ASTM F912: 5/16-18 x 5/16
Approximate Weight	3.90 oz
UPC Code	044861142110
Downloads	Catalog Page

Competitor Part Number -

Alternate Part Number

0403331
 101806817
 1570946
 175D49421
 227416
 243546
 2ADV4
 35463736
 6L102P3
 86532892
 8699331
 9414T22
 C112BO
 SC18F
 SC-18-F