



Climax Metal Products Company

8141 Tyler Boulevard
Mentor, Ohio 44060
USA

Toll free: 800-542-6552

Phone: 440-585-0300

Fax: 800-860-5553

Email: sales@climaxmetal.com

Website: www.climaxmetal.com

ITEM # ISTC-010-32, ONE-PIECE THREADED CLAMPING COLLAR ISTC-SERIES

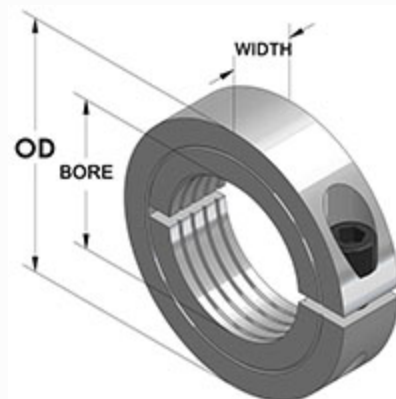
Black Oxide Plated Steel One-Piece Threaded Clamping Collars. Design fully engages the thread for secure locking.



[Drawing](#) | [Specifications](#) |

Drawing

Dimensional Drawing



One-Piece Threaded Clamping Collar

Specifications

Bore Thread	10-32
OD	11/16 in
Width	5/16 in
Style	One-Piece Clamp
Material	Steel, ASTM A108
Finish	Black Oxide
Clamp Screw	Hex Socket Cap Screw, 3A Thread, Steel, ASTM A574: 4-40 x 3/8
Recessed Screw	No
Approximate Weight	0.43 oz
UPC Code	044861512104
Downloads	Catalog Page

Competitor Part Number

Alternate Part Number	0403229
	101783554
	15206
	1570626
	175D49562
	243789
	243791
	35462233
	6438K13
	7L002F
	CTC-200
	ISTC01032
	TCL332F
	TCL-3-32-F