

**Climax Metal Products Company**

8141 Tyler Boulevard
Mentor, Ohio 44060
USA

Toll free: 800-542-6552

Phone: 440-585-0300

Fax: 800-860-5553

Email: sales@climaxmetal.com

Website: www.climaxmetal.com

ITEM # TC-025-20, ONE-PIECE THREADED CLAMPING COLLAR RECESSED SCREW TC-SERIES

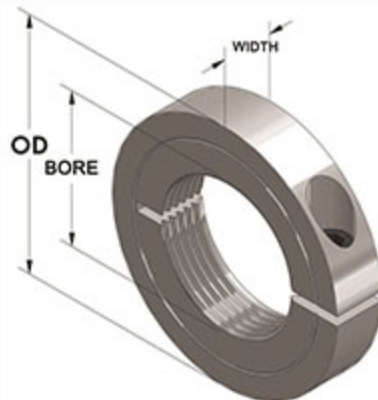
Black Oxide Plated Steel One-Piece Threaded Clamping Collars - Recessed Screw Head. Recessed screw head provides an outside surface free of major projections for safety. Design fully engages the thread for secure locking.



[Drawing](#) | [Specifications](#) |

Drawing

Dimensional Drawing



One-Piece Threaded Clamping Collar Recessed Screw

Specifications

Bore Thread	1/4-20
OD	13/16 in
Width	1/4 in
Style	One-Piece Clamp
Material	Steel, ASTM A108
Finish	Black Oxide
Clamp Screw	Hex Socket Cap Screw, 3A Thread, Steel, ASTM A574: 4-40 x 3/8
Recessed Screw	Yes
Approximate Weight	0.47 oz
UPC Code	044861501184
Downloads	Catalog Page

Competitor Part Number

Alternate Part Number	101808259
	1570689
	175D49238
	243262
	243263
	243264
	34533
	4L004
	890046
	CSC2520
	CSC25-20
	TC02520