

**Climax Metal Products Company**

8141 Tyler Boulevard

Mentor, Ohio 44060

USA

Toll free: 800-542-6552

Phone: 440-585-0300

Fax: 800-860-5553

Email: [sales@climaxmetal.com](mailto:sales@climaxmetal.com)Website: [www.climaxmetal.com](http://www.climaxmetal.com)

## ITEM # C-143, SET SCREW COLLAR C-SERIES

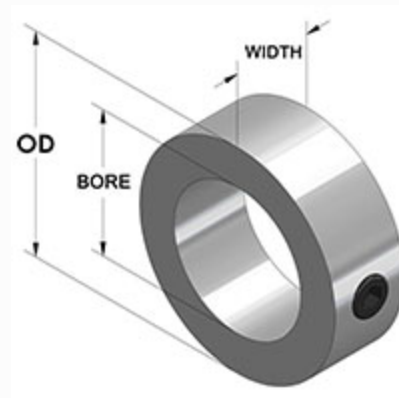
Zinc Plated Steel Set Screw Collar. Traditional cost effective collar design.



[Drawing](#) | [Specifications](#) |

### Drawing

#### Dimensional Drawing



Set Screw Collar

### Specifications

<b>Bore</b>	1 7/16 in
<b>OD</b>	2 1/4 in
<b>Width</b>	3/4 in
<b>Style</b>	Set Screw
<b>Material</b>	Steel, ASTM A108
<b>Finish</b>	Zinc Plated
<b>Set Screw</b>	Hex Socket Set Screw, 3A Thread, Steel, ASTM F912: 3/8-16 x 3/8
<b>Approximate Weight</b>	7.60 oz
<b>UPC Code</b>	044861030820
<b>Downloads</b>	<a href="#">Catalog Page</a>

### Competitor Part Number

### Alternate Part Number

0402932  
 101807818  
 1570445  
 175D08222  
 1994102  
 214650  
 227464  
 227466  
 227467  
 227471  
 4261780  
 6432K33  
 87987285  
 C143  
 LSC23  
 LSC-23  
 MA1570445  
 SC143  
 SC-23-FZ