



Climax Metal Products Company

8141 Tyler Boulevard
Mentor, Ohio 44060
USA

Toll free: 800-542-6552

Phone: 440-585-0300

Fax: 800-860-5553

Email: sales@climaxmetal.com

Website: www.climaxmetal.com

ITEM # H1C-068, ONE-PIECE CLAMPING COLLAR RECESSED SCREW H1C-SERIES

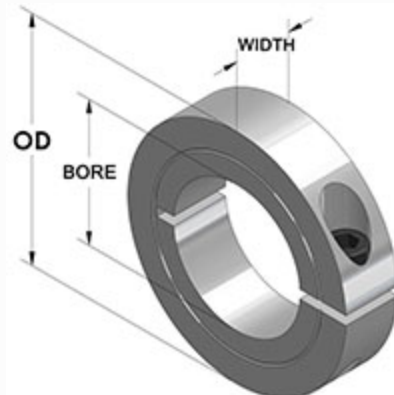
Black Oxide Plated Steel One-Piece Clamping Collar - Recessed Screw Head. Recessed Screw Head provides an outside surface free of major projections for safety. Design fully engages the shaft without marring. Greater axial holding power than set screw collars. Effective on hard & soft shafts.



[Drawing](#) | [Specifications](#) |

Drawing

Dimensional Drawing



One-Piece Clamping Collar Recessed Screw

Specifications

Bore	11/16 in
OD	1 1/2 in
Width	13/32 in
Style	One-Piece Clamp
Material	Steel, ASTM A108
Finish	Black Oxide
Clamp Screw	Hex Socket Cap Screw, 3A Thread, Steel, ASTM A574: 10-32 x 1/2
Recessed Screw	Yes
Approximate Weight	2.30 oz
UPC Code	044861151860
Downloads	Catalog Page

Competitor Part Number

Alternate Part Number	101785049
	1570011
	175D03054
	1L011
	213962
	213963
	213964
	34346
	899990
	CSC68
	H1C068