

**Climax Metal Products Company**

8141 Tyler Boulevard

Mentor, Ohio 44060

USA

Toll free: 800-542-6552

Phone: 440-585-0300

Fax: 800-860-5553

Email: sales@climaxmetal.comWebsite: www.climaxmetal.com

ITEM # 1C-075-A, ONE-PIECE CLAMPING COLLAR 1C-SERIES

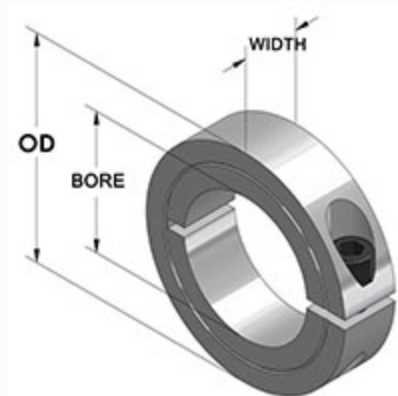
Aluminum One-Piece Clamping Collar. Design fully engages the shaft without marring. Greater axial holding power than set screw collars. Effective on hard & soft shafts.



[Drawing](#) | [Specifications](#) |

Drawing

Dimensional Drawing



One-Piece Clamping Collar

Specifications

Bore	3/4 in
OD	1 1/2 in
Width	1/2 in
Style	One-Piece Clamp
Material	Aluminum, ASTM B211
Finish	Plain
Clamp Screw	Hex Socket Cap Screw, 3A Thread, Steel, ASTM A574: 1/4-28 x 5/8
Recessed Screw	No
Approximate Weight	0.94 oz
UPC Code	044861292150
Downloads	Catalog Page

Competitor Part Number

Alternate Part Number	101783934
	1570267
	15822
	175D49057
	1C075A
	242695
	242697
	242698
	2AKG4
	35463439
	6157K16
	7942973
	7A012
	88090485
	CL12A
	CL-12-A
	MA1570267