



Climax Metal Products Company

8141 Tyler Boulevard
Mentor, Ohio 44060
USA

Toll free: 800-542-6552

Phone: 440-585-0300

Fax: 800-860-5553

Email: sales@climaxmetal.com

Website: www.climaxmetal.com

ITEM # M1C-16, METRIC ONE-PIECE CLAMPING COLLAR M1C-SERIES

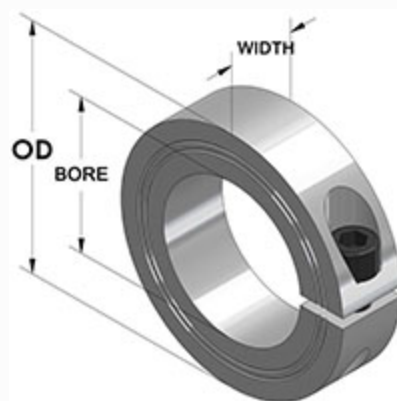
Black Oxide Steel Metric One-Piece Clamping Collar. Design fully engages the shaft without marring. Greater axial holding power than set screw collars. Effective on hard & soft shafts.



[Drawing](#) | [Specifications](#) |

Drawing

Dimensional Drawing



Metric One-Piece Clamping Collar

Specifications

Bore	16 mm
OD	1 3/8 in
Width	13 mm
Style	One-Piece Clamp
Material	Steel, ASTM A108
Finish	Black Oxide
Clamp Screw	Hex Socket Cap Screw, Steel: M5 x 16
Recessed Screw	No
Approximate Weight	2.30 oz
UPC Code	044861610169
Downloads	Catalog Page

Competitor Part Number -

Alternate Part Number	0403013
	101782143
	1570229
	175D50180
	244086
	244087
	2ALE4
	35460542
	57445K71
	5760129
	M1C16
	MCL16F
	MCL-16-F