



Climax Metal Products Company

8141 Tyler Boulevard
Mentor, Ohio 44060
USA

Toll free: 800-542-6552

Phone: 440-585-0300

Fax: 800-860-5553

Email: sales@climaxmetal.com

Website: www.climaxmetal.com

ITEM # 1C-025-S, ONE-PIECE CLAMPING COLLAR 1C-SERIES

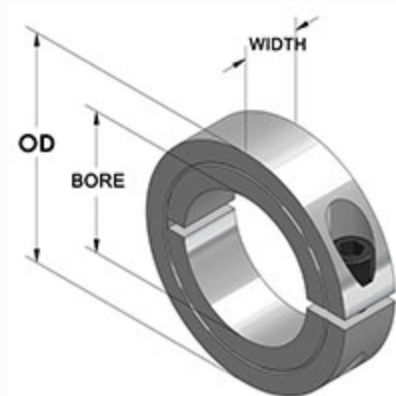
Stainless Steel One-Piece Clamping Collar. Design fully engages the shaft without marring. Greater axial holding power than set screw collars. Effective on hard & soft shafts.



[Drawing](#) | [Specifications](#) |

Drawing

Dimensional Drawing



One-Piece Clamping Collar

Specifications

Bore	1/4 in
OD	11/16 in
Width	5/16 in
Style	One-Piece Clamp
Material	Stainless Steel, ASTM A582
Finish	Plain
Clamp Screw	Hex Socket Cap Screw, 3A Thread, Stainless Steel, ASTM F837: 4-40 x 3/8
Recessed Screw	No
Approximate Weight	0.40 oz
UPC Code	044861191521
Downloads	Catalog Page

Competitor Part Number

Alternate Part Number	0402830
	101783154
	15406
	1570243
	175D49096
	1C025S
	242808
	242810
	242811
	2AKW6
	35462506
	5760496
	6435K32
	7S004
	CL4SS
	CL-4-SS
	MA1570243