



Climax Metal Products Company

8141 Tyler Boulevard
Mentor, Ohio 44060
USA

Toll free: 800-542-6552

Phone: 440-585-0300

Fax: 800-860-5553

Email: sales@climaxmetal.com

Website: www.climaxmetal.com

ITEM # M1C-14, METRIC ONE-PIECE CLAMPING COLLAR M1C-SERIES

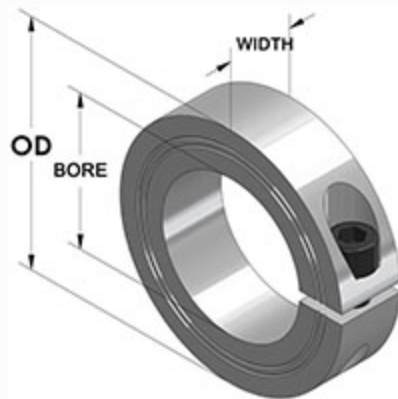
Black Oxide Steel Metric One-Piece Clamping Collar. Design fully engages the shaft without marring. Greater axial holding power than set screw collars. Effective on hard & soft shafts.



[Drawing](#) | [Specifications](#) |

Drawing

Dimensional Drawing



Metric One-Piece Clamping Collar

Specifications

Bore	14 mm
OD	1 1/4 in
Width	11 mm
Style	One-Piece Clamp
Material	Steel, ASTM A108
Finish	Black Oxide
Clamp Screw	Hex Socket Cap Screw, Steel: M4 x 12
Recessed Screw	No
Approximate Weight	1.60 oz
UPC Code	044861610145
Downloads	Catalog Page

Competitor Part Number

Alternate Part Number	0403011
	101783283
	1570818
	175D50176
	244082
	244083
	2ALD1
	35460526
	8699130
	M1C14
	MCL14F
	MCL-14-F