

**Climax Metal Products Company**

8141 Tyler Boulevard

Mentor, Ohio 44060

USA

Toll free: 800-542-6552

Phone: 440-585-0300

Fax: 800-860-5553

Email: sales@climaxmetal.comWebsite: www.climaxmetal.com

ITEM # 1C-031-S, ONE-PIECE CLAMPING COLLAR 1C-SERIES

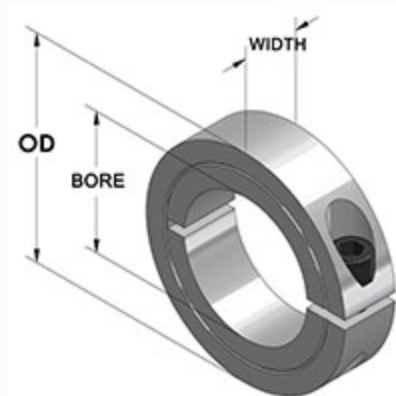
Stainless Steel One-Piece Clamping Collar. Design fully engages the shaft without marring. Greater axial holding power than set screw collars. Effective on hard & soft shafts.



[Drawing](#) | [Specifications](#) |

Drawing

Dimensional Drawing



One-Piece Clamping Collar

Specifications

Bore	5/16 in
OD	11/16 in
Width	5/16 in
Style	One-Piece Clamp
Material	Stainless Steel, ASTM A582
Finish	Plain
Clamp Screw	Hex Socket Cap Screw, 3A Thread, Stainless Steel, ASTM F837: 4-40 x 3/8
Recessed Screw	No
Approximate Weight	0.36 oz
UPC Code	044861191460
Downloads	Catalog Page

Competitor Part Number

Alternate Part Number	0402831
	101782145
	15408
	1570246
	175D49097
	1C031S
	242812
	242814
	242815
	2AKX3
	35462514
	5760497
	6435K62
	7S005
	CL5SS
	CL-5-SS
	MA1570246