



## Climax Metal Products Company

8141 Tyler Boulevard  
Mentor, Ohio 44060  
USA

Toll free: 800-542-6552

Phone: 440-585-0300

Fax: 800-860-5553

Email: [sales@climaxmetal.com](mailto:sales@climaxmetal.com)

Website: [www.climaxmetal.com](http://www.climaxmetal.com)

## ITEM # ISTC-062-11, ONE-PIECE THREADED CLAMPING COLLAR ISTC-SERIES

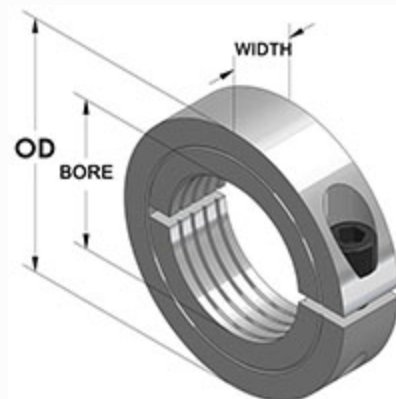
Black Oxide Plated Steel One-Piece Threaded Clamping Collars. Design fully engages the thread for secure locking.



[Drawing](#) | [Specifications](#) |

### Drawing

### Dimensional Drawing



One-Piece Threaded Clamping Collar

## Specifications

|                           |  |
|---------------------------|--|
| <b>Bore Thread</b>        | 5/8-11   |
| <b>OD</b>                 | 1 5/16 in  |
| <b>Width</b>              | 7/16 in  |
| <b>Style</b>              | One-Piece Clamp  |
| <b>Material</b>           | Steel, ASTM A108   |
| <b>Finish</b>             | Black Oxide  |
| <b>Clamp Screw</b>        | Hex Socket Cap Screw, 3A Thread, Steel, ASTM A574: 10-32 x 1/2 |
| <b>Recessed Screw</b>     | No   |
| <b>Approximate Weight</b> | 2.00 oz  |
| <b>UPC Code</b>           | 044861514078   |
| <b>Downloads</b>          | <a href="#">Catalog Page</a>                                   |

## Competitor Part Number

|                              |             |
|------------------------------|-------------|
| <b>Alternate Part Number</b> | 0403238     |
|                              | 101783274   |
|                              | 15224       |
|                              | 1570640     |
|                              | 175D49576   |
|                              | 243829      |
|                              | 243831      |
|                              | 243832      |
|                              | 2ADC8       |
|                              | 35462324    |
|                              | 5045177     |
|                              | 6438K23     |
|                              | 7L010C      |
|                              | ISTC06211   |
|                              | TCL1011F    |
|                              | TCL-10-11-F |