

**Climax Metal Products Company**

8141 Tyler Boulevard

Mentor, Ohio 44060

USA

Toll free: 800-542-6552

Phone: 440-585-0300

Fax: 800-860-5553

Email: [sales@climaxmetal.com](mailto:sales@climaxmetal.com)Website: [www.climaxmetal.com](http://www.climaxmetal.com)

## ITEM # 1C-087-A, ONE-PIECE CLAMPING COLLAR 1C-SERIES

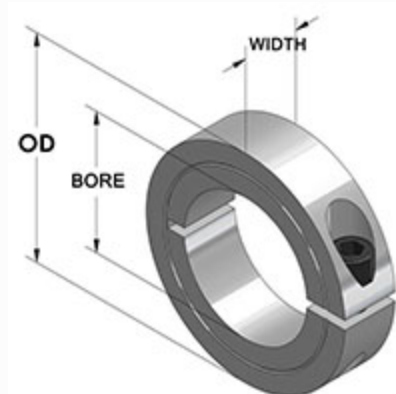
Aluminum One-Piece Clamping Collar. Design fully engages the shaft without marring. Greater axial holding power than set screw collars. Effective on hard & soft shafts.



[Drawing](#) | [Specifications](#) |

### Drawing

#### Dimensional Drawing



One-Piece Clamping Collar

### Specifications

<b>Bore</b>	7/8 in
<b>OD</b>	1 5/8 in
<b>Width</b>	1/2 in
<b>Style</b>	One-Piece Clamp
<b>Material</b>	Aluminum, ASTM B211
<b>Finish</b>	Plain
<b>Clamp Screw</b>	Hex Socket Cap Screw, 3A Thread, Steel, ASTM A574: 1/4-28 x 5/8
<b>Recessed Screw</b>	No
<b>Approximate Weight</b>	1.02 oz
<b>UPC Code</b>	044861291115
<b>Downloads</b>	<a href="#">Catalog Page</a>

## Competitor Part Number

### Alternate Part Number

101781975  
 1570271  
 15826  
 175D49059  
 1C087A  
 242701  
 242703  
 242704  
 2AKH1  
 34472  
 35463447  
 5942364  
 6157K17  
 7A014  
 88090568  
 CL14A  
 CL-14-A