

**Climax Metal Products Company**

8141 Tyler Boulevard

Mentor, Ohio 44060

USA

Toll free: 800-542-6552

Phone: 440-585-0300

Fax: 800-860-5553

Email: [sales@climaxmetal.com](mailto:sales@climaxmetal.com)Website: [www.climaxmetal.com](http://www.climaxmetal.com)

## ITEM # ISTC-075-10, ONE-PIECE THREADED CLAMPING COLLAR ISTC-SERIES

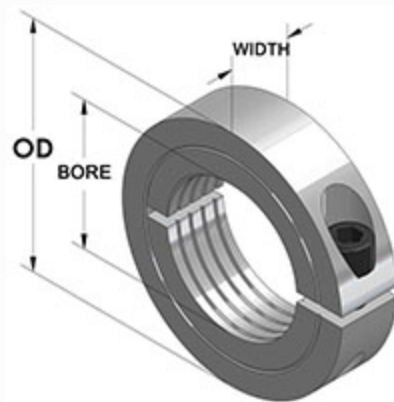
Black Oxide Plated Steel One-Piece Threaded Clamping Collars. Design fully engages the thread for secure locking.



[Drawing](#) | [Specifications](#) |

### Drawing

#### Dimensional Drawing



One-Piece Threaded Clamping Collar

## Specifications

|                           |   |
|---------------------------|---|
| <b>Bore Thread</b>        | 3/4-10  |
| <b>OD</b>                 | 1 1/2 in  |
| <b>Width</b>              | 1/2 in  |
| <b>Style</b>              | One-Piece Clamp   |
| <b>Material</b>           | Steel, ASTM A108  |
| <b>Finish</b>             | Black Oxide   |
| <b>Clamp Screw</b>        | Hex Socket Cap Screw, 3A Thread, Steel, ASTM A574: 1/4-28 x 5/8 |
| <b>Recessed Screw</b>     | No  |
| <b>Approximate Weight</b> | 2.90 oz   |
| <b>UPC Code</b>           | 044861514306  |
| <b>Downloads</b>          | <a href="#">Catalog Page</a>                                    |

## Competitor Part Number

|                              |             |
|------------------------------|-------------|
| <b>Alternate Part Number</b> | 0403240     |
|                              | 101783745   |
|                              | 15228       |
|                              | 1570644     |
|                              | 175D49578   |
|                              | 243837      |
|                              | 243839      |
|                              | 243840      |
|                              | 2ADE2       |
|                              | 347222      |
|                              | 35462340    |
|                              | 6438K25     |
|                              | 7L012C      |
|                              | ISTC07510   |
|                              | TCL1210F    |
|                              | TCL-12-10-F |