



Climax Metal Products Company

8141 Tyler Boulevard
Mentor, Ohio 44060
USA

Toll free: 800-542-6552

Phone: 440-585-0300

Fax: 800-860-5553

Email: sales@climaxmetal.com

Website: www.climaxmetal.com

ITEM # M1C-23, METRIC ONE-PIECE CLAMPING COLLAR M1C-SERIES

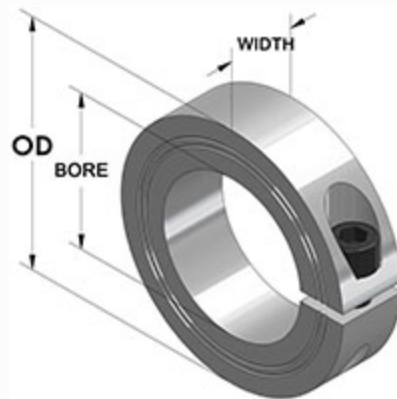
Black Oxide Steel Metric One-Piece Clamping Collar. Design fully engages the shaft without marring. Greater axial holding power than set screw collars. Effective on hard & soft shafts.



[Drawing](#) | [Specifications](#) |

Drawing

Dimensional Drawing



Metric One-Piece Clamping Collar

Specifications

Bore	23 mm
OD	1 7/8 in
Width	15 mm
Style	One-Piece Clamp
Material	Steel, ASTM A108
Finish	Black Oxide
Clamp Screw	Hex Socket Cap Screw, Steel: M6 x 16
Recessed Screw	No
Approximate Weight	4.60 oz
UPC Code	044861610237
Downloads	Catalog Page

Competitor Part Number

Alternate Part Number	101783284
	1570826
	175D50194
	244100
	244101
	2ALK1
	35460617
	8699145
	M1C23
	MCL23F
	MCL-23-F