



Climax Metal Products Company

8141 Tyler Boulevard
Mentor, Ohio 44060
USA

Toll free: 800-542-6552

Phone: 440-585-0300

Fax: 800-860-5553

Email: sales@climaxmetal.com

Website: www.climaxmetal.com

ITEM # M1C-25, METRIC ONE-PIECE CLAMPING COLLAR M1C-SERIES

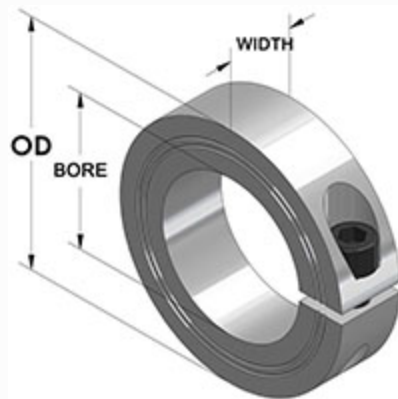
Black Oxide Steel Metric One-Piece Clamping Collar. Design fully engages the shaft without marring. Greater axial holding power than set screw collars. Effective on hard & soft shafts.



[Drawing](#) | [Specifications](#) |

Drawing

Dimensional Drawing



Metric One-Piece Clamping Collar

Specifications

Bore	25 mm
OD	1 7/8 in
Width	15 mm
Style	One-Piece Clamp
Material	Steel, ASTM A108
Finish	Black Oxide
Clamp Screw	Hex Socket Cap Screw, Steel: M6 x 16
Recessed Screw	No
Approximate Weight	4.20 oz
UPC Code	044861610251
Downloads	Catalog Page

Competitor Part Number

Alternate Part Number	0403021
	101783285
	1318381
	15325
	1570828
	175D50198
	244104
	244105
	2ALL4
	35460625
	57445K74
	M1C25
	MCL25F
	MCL-25-F