

**Climax Metal Products Company**

8141 Tyler Boulevard

Mentor, Ohio 44060

USA

Toll free: 800-542-6552

Phone: 440-585-0300

Fax: 800-860-5553

Email: sales@climaxmetal.comWebsite: www.climaxmetal.com

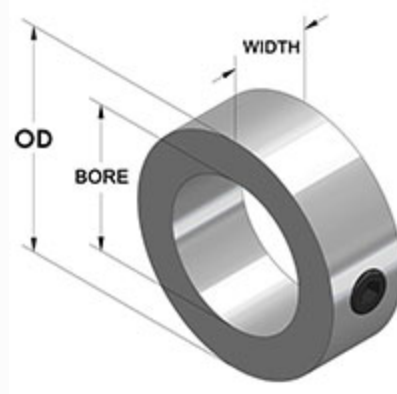
ITEM # MC-05-S, METRIC SET SCREW COLLAR MC-SERIES

Traditional cost effective collar design.

[View Catalog Page](#)[Drawing](#) | [Specifications](#) |

Drawing

Dimensional Drawing



Metric Set Screw Collar

Specifications

Bore	5 mm
OD	1/2 in
Width	6 mm
Style	Set Screw
Material	Stainless Steel, ASTM A582
Finish	Plain
Set Screw	Hex Socket Set Screw, Stainless Steel: M3 x 3
Approximate Weight	0.09 oz
UPC Code	044861601358
Downloads	Catalog Page

Competitor Part Number

Alternate Part Number	0404530
	101804745
	1571454
	175D40918
	2337416
	2391805
	57485K22
	62164918
	8699225
	MC05S
	MSC5SS
	MSC-5-SS