

**Climax Metal Products Company**

8141 Tyler Boulevard
Mentor, Ohio 44060
USA

Toll free: 800-542-6552

Phone: 440-585-0300

Fax: 800-860-5553

Email: sales@climaxmetal.com

Website: www.climaxmetal.com

ITEM # C-156-DT, SET SCREW COLLAR C-SERIES

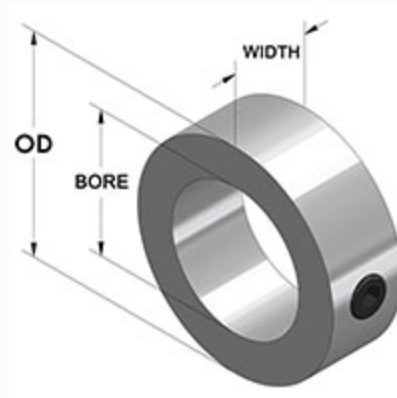
Unplated Steel Set Screw Collar. Traditional cost effective collar design.



[Drawing](#) | [Specifications](#) |

Drawing

Dimensional Drawing



Set Screw Collar

Specifications

Bore	1 9/16 in
OD	2 1/2 in
Width	13/16 in
Style	Set Screw
Material	Steel, ASTM A108
Finish	Plain
Set Screw	Hex Socket Set Screw, 3A Thread, Steel, ASTM F912: 3/8-16 x 3/8
Approximate Weight	10.70 oz
UPC Code	044861003404
Downloads	Catalog Page

Competitor Part Number**Alternate Part Number**

0403473
101784321
1570759
175D08451
227495
228090
6L109
C156DT