

**Climax Metal Products Company**

8141 Tyler Boulevard
Mentor, Ohio 44060
USA

Toll free: 800-542-6552

Phone: 440-585-0300

Fax: 800-860-5553

Email: sales@climaxmetal.com

Website: www.climaxmetal.com

ITEM # M2C-08, METRIC TWO-PIECE CLAMPING COLLAR M2C-SERIES

Black Oxide Plated Steel Metric Two-Piece Clamping Collar. Design fully engages the shaft without marring. Easily installed where major disassembly would otherwise be required. Greater axial holding power than set screw or one-piece clamping collars. Effective on hard & soft shafts.

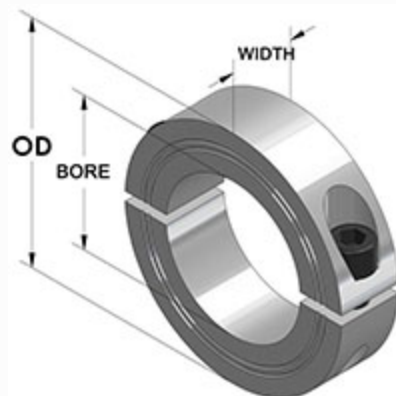
[View Catalog Page](#)



[Drawing](#) | [Specifications](#) |

Drawing

Dimensional Drawing



Metric Two-Piece Clamping Collar

Specifications

| | |
|---------------------------|--------------------------------------|
| Bore | 8 mm |
| OD | 1 in |
| Width | 9 mm |
| Style | Two-Piece Clamp |
| Material | Steel, ASTM A108 |
| Finish | Black Oxide |
| Clamp Screw | Hex Socket Cap Screw, Steel: M3 x 10 |
| Recessed Screw | No |
| Approximate Weight | 0.90 oz |
| UPC Code | 044861620083 |
| Downloads | Catalog Page |

Competitor Part Number

| | |
|------------------------------|-----------|
| Alternate Part Number | 101808270 |
| | 15708 |
| | 1570854 |
| | 175D50250 |
| | 244156 |
| | 244157 |
| | 2ANP5 |
| | 35461425 |
| | 4777461 |
| | 6063K14 |
| | M2C08 |
| | MSP8F |
| | MSP-8-F |