



Climax Metal Products Company

8141 Tyler Boulevard
Mentor, Ohio 44060
USA

Toll free: 800-542-6552

Phone: 440-585-0300

Fax: 800-860-5553

Email: sales@climaxmetal.com

Website: www.climaxmetal.com

ITEM # ISTC-037-16-S, ONE-PIECE THREADED CLAMPING COLLAR ISTC-SERIES

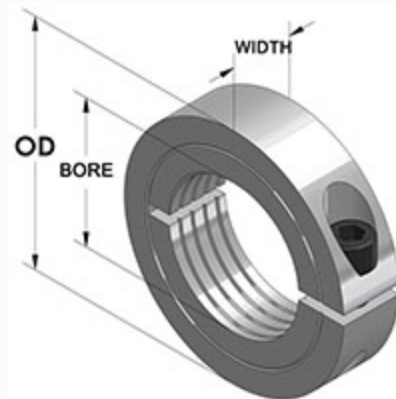
Stainless Steel One-Piece Threaded Clamping Collars. Design fully engages the thread for secure locking.



[Drawing](#) | [Specifications](#) |

Drawing

Dimensional Drawing



One-Piece Threaded Clamping Collar

Specifications

Bore Thread	3/8-16
OD	7/8 in
Width	3/8 in
Style	One-Piece Clamp
Material	Stainless Steel, ASTM A582
Finish	Plain
Clamp Screw	Hex Socket Cap Screw, 3A Thread, Stainless Steel, ASTM F837: 6-32 x 3/8
Recessed Screw	No
Approximate Weight	0.80 oz
UPC Code	044861536001
Downloads	Catalog Page

Competitor Part Number

Alternate Part Number	0403281
	101782027
	15616
	1570633
	175D49608
	243914
	243916
	2ALE1
	35462165
	3610969
	6438K48
	7S006C
	ISTC03716S
	TCL616SS
	TCL-6-16-SS