

**Climax Metal Products Company**

8141 Tyler Boulevard
Mentor, Ohio 44060
USA

Toll free: 800-542-6552

Phone: 440-585-0300

Fax: 800-860-5553

Email: sales@climaxmetal.com

Website: www.climaxmetal.com

ITEM # MC-08-S, METRIC SET SCREW COLLAR MC-SERIES

Traditional cost effective collar design.

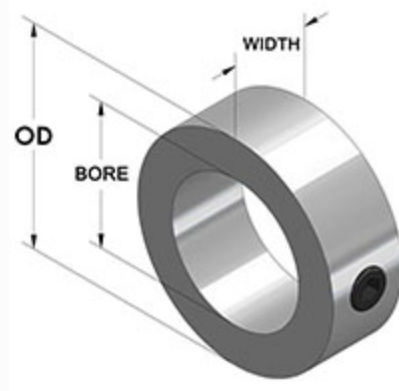
[View Catalog Page](#)



[Drawing](#) | [Specifications](#) |

Drawing

Dimensional Drawing



Metric Set Screw Collar

Specifications

Bore	8 mm
OD	5/8 in
Width	8 mm
Style	Set Screw
Material	Stainless Steel, ASTM A582
Finish	Plain
Set Screw	Hex Socket Set Screw, Stainless Steel: M4 x 4
Approximate Weight	0.30 oz
UPC Code	044861601396
Downloads	Catalog Page

Competitor Part Number

Alternate Part Number	101782169
	1571456
	175D40920
	2130813
	2391807
	5034059
	57485K24
	62164934
	MC08S
	MSC8SS
	MSC-8-SS