

**Climax Metal Products Company**

8141 Tyler Boulevard

Mentor, Ohio 44060

USA

Toll free: 800-542-6552

Phone: 440-585-0300

Fax: 800-860-5553

Email: sales@climaxmetal.comWebsite: www.climaxmetal.com

ITEM # 1C-125-A, ONE-PIECE CLAMPING COLLAR 1C-SERIES

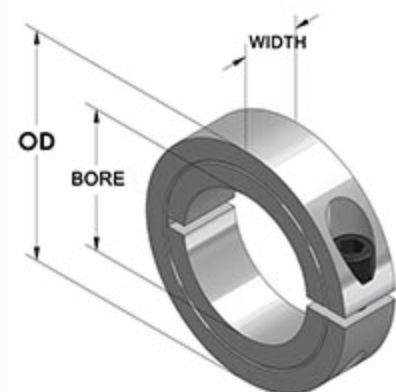
Aluminum One-Piece Clamping Collar. Design fully engages the shaft without marring. Greater axial holding power than set screw collars. Effective on hard & soft shafts.



[Drawing](#) | [Specifications](#) |

Drawing

Dimensional Drawing



One-Piece Clamping Collar

Specifications

Bore	1 1/4 in
OD	2 1/16 in
Width	1/2 in
Style	One-Piece Clamp
Material	Aluminum, ASTM B211
Finish	Plain
Clamp Screw	Hex Socket Cap Screw, 3A Thread, Steel, ASTM A574: 1/4-28 x 3/4
Recessed Screw	No
Approximate Weight	1.52 oz
UPC Code	044861298848
Downloads	Catalog Page

Competitor Part Number -

Alternate Part Number	101782148
	1570284
	15838
	175D49065
	1C125A
	242719
	242721
	242722
	2AKK1
	35463462
	4356781
	6157K21
	7A104
	88091160
	CL20A
	CL-20-A