

**Climax Metal Products Company**

8141 Tyler Boulevard  
Mentor, Ohio 44060  
USA

Toll free: 800-542-6552

Phone: 440-585-0300

Fax: 800-860-5553

Email: [sales@climaxmetal.com](mailto:sales@climaxmetal.com)

Website: [www.climaxmetal.com](http://www.climaxmetal.com)

## ITEM # H2C-106, TWO-PIECE CLAMPING COLLAR RECESSED SCREW H2C-SERIES

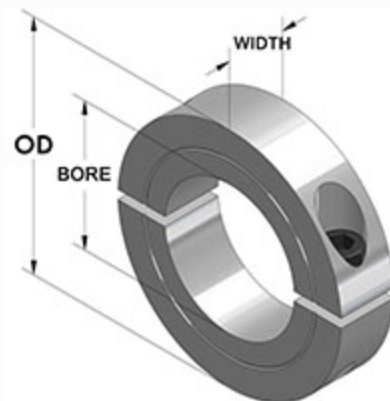
Black Oxide Plated Steel Two-Piece Clamping Collar - Recessed Screw Head. Recessed Screw Head provides an outside surface free of major projections for safety. Design fully engages the shaft without marring. Easily installed where major disassembly would otherwise be required. Greater axial holding power than set screw or one-piece clamping collars. Effective on hard & soft shafts.



[Drawing](#) | [Specifications](#) |

### Drawing

### Dimensional Drawing



## Two-Piece Clamping Collar Recessed Screw

## Specifications

<b>Bore</b>	1 1/16 in
<b>OD</b>	2 in
<b>Width</b>	1/2 in
<b>Style</b>	Two-Piece Clamp
<b>Material</b>	Steel, ASTM A108
<b>Finish</b>	Black Oxide
<b>Clamp Screw</b>	Hex Socket Cap Screw, 3A Thread, Steel, ASTM A574: 1/4-28 x 5/8
<b>Recessed Screw</b>	Yes
<b>Approximate Weight</b>	4.30 oz
<b>UPC Code</b>	044861258606
<b>Downloads</b>	<a href="#">Catalog Page</a>

## Competitor Part Number

<b>Alternate Part Number</b>	101828422
	1570061
	175D03360
	214392
	214394
	2L101
	2SC106
	34391
	4512145
	H2C106