

**Climax Metal Products Company**

8141 Tyler Boulevard

Mentor, Ohio 44060

USA

Toll free: 800-542-6552

Phone: 440-585-0300

Fax: 800-860-5553

Email: sales@climaxmetal.comWebsite: www.climaxmetal.com

ITEM # NC-100, ACETAL SET SCREW COLLAR NC-SERIES

Acetal Copolymer Set Screw Collar. Will not rust or corrode. Ideal for washdown environments & is USDA approved. Collars include stainless steel screws.

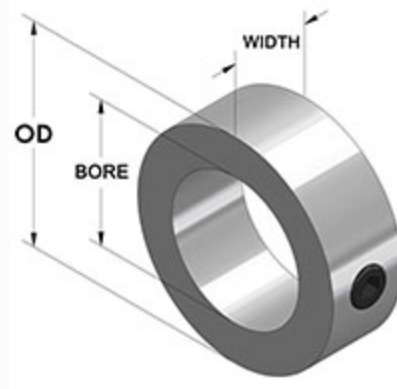
[View Catalog Page](#)



[Drawing](#) | [Specifications](#) |

Drawing

Dimensional Drawing



Set Screw Collar

Specifications

Bore	1 in
OD	1 5/8 in
Width	5/8 in
Style	Set Screw
Material	Acetal
Finish	Plain
Set Screw	Hex Socket Set Screw, 3A Thread, Stainless Steel, ASTM F880: 5/16-18 x 5/16
Approximate Weight	0.60 oz
UPC Code	044861802199
Downloads	Catalog Page

Competitor Part Number

Alternate Part Number	101783781 1571812 SC-16-P
------------------------------	---------------------------------