



Climax Metal Products Company

8141 Tyler Boulevard
Mentor, Ohio 44060
USA

Toll free: 800-542-6552

Phone: 440-585-0300

Fax: 800-860-5553

Email: sales@climaxmetal.com

Website: www.climaxmetal.com

ITEM # M1C-09-S, METRIC ONE-PIECE CLAMPING COLLAR M1C-SERIES

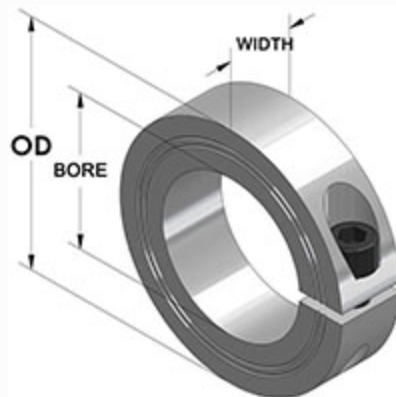
Stainless Steel Metric One-Piece Clamping Collar. Design fully engages the shaft without marring. Greater axial holding power than set screw collars. Effective on hard & soft shafts.



[Drawing](#) | [Specifications](#) |

Drawing

Dimensional Drawing



Metric One-Piece Clamping Collar

Specifications

Bore	9 mm
OD	1 in
Width	9 mm
Style	One-Piece Clamp
Material	Stainless Steel, ASTM A582
Finish	Plain
Clamp Screw	Hex Socket Cap Screw, Stainless Steel: M3 x 10
Recessed Screw	No
Approximate Weight	1.00 oz
UPC Code	044861435120
Downloads	Catalog Page

Competitor Part Number

Alternate Part Number	0404460
	101971011
	175D25681
	2279024
	2337150
	2758472
	2AMD2
	8699194
	M1C09S
	MCL9SS
	MCL-9-SS