

**Climax Metal Products Company**

8141 Tyler Boulevard
Mentor, Ohio 44060
USA

Toll free: 800-542-6552

Phone: 440-585-0300

Fax: 800-860-5553

Email: sales@climaxmetal.com

Website: www.climaxmetal.com

ITEM # ISTC-112-07, ONE-PIECE THREADED CLAMPING COLLAR ISTC-SERIES

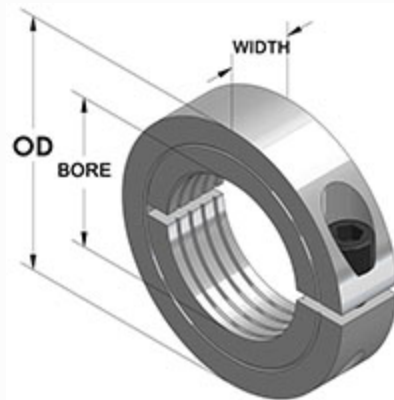
Black Oxide Plated Steel One-Piece Threaded Clamping Collars. Design fully engages the thread for secure locking.



[Drawing](#) | [Specifications](#) |

Drawing

Dimensional Drawing



One-Piece Threaded Clamping Collar

Specifications

Bore Thread	1 1/8-7
OD	1 7/8 in
Width	1/2 in
Style	One-Piece Clamp
Material	Steel, ASTM A108
Finish	Black Oxide
Clamp Screw	Hex Socket Cap Screw, 3A Thread, Steel, ASTM A574: 1/4-28 x 3/4
Recessed Screw	No
Approximate Weight	4.00 oz
UPC Code	044861515167
Downloads	Catalog Page

Competitor Part Number

Alternate Part Number	0403246
	101783746
	1570654
	175D49587
	243863
	243865
	7L102C
	ISTC11207
	TCL187F
	TCL-18-7-F