

**Climax Metal Products Company**

8141 Tyler Boulevard

Mentor, Ohio 44060

USA

Toll free: 800-542-6552

Phone: 440-585-0300

Fax: 800-860-5553

Email: sales@climaxmetal.comWebsite: www.climaxmetal.com

ITEM # ISTC-112-12, ONE-PIECE THREADED CLAMPING COLLAR ISTC-SERIES

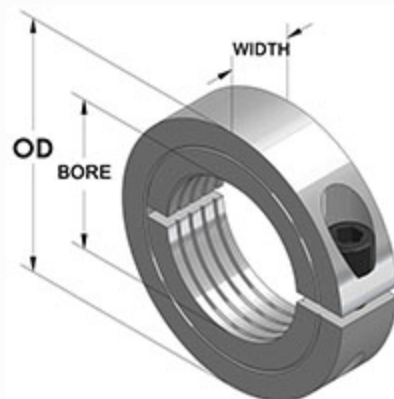
Black Oxide Plated Steel One-Piece Threaded Clamping Collars. Design fully engages the thread for secure locking.



[Drawing](#) | [Specifications](#) |

Drawing

Dimensional Drawing



One-Piece Threaded Clamping Collar

Specifications

Bore Thread	1 1/8-12
OD	1 7/8 in
Width	1/2 in
Style	One-Piece Clamp
Material	Steel, ASTM A108
Finish	Black Oxide
Clamp Screw	Hex Socket Cap Screw, 3A Thread, Steel, ASTM A574: 1/4-28 x 3/4
Recessed Screw	No
Approximate Weight	3.80 oz
UPC Code	044861515266
Downloads	Catalog Page

Competitor Part Number

Alternate Part Number	0403247
	101783411
	1183413
	15242
	1570655
	175D49588
	2079236
	243866
	2AKY9
	35462415
	6438K32
	7L102F
	ISTC11212
	TCL1812F
	TCL-18-12-F