



Climax Metal Products Company

8141 Tyler Boulevard
Mentor, Ohio 44060
USA

Toll free: 800-542-6552

Phone: 440-585-0300

Fax: 800-860-5553

Email: sales@climaxmetal.com

Website: www.climaxmetal.com

ITEM # H1C-143-A, ONE-PIECE CLAMPING COLLAR RECESSED SCREW H1C-SERIES

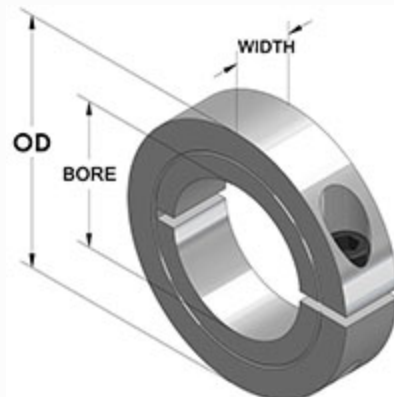
Aluminum One-Piece Clamping Collar - Recessed Screw Head. Recessed Screw Head provides an outside surface free of major projections for safety. Design fully engages the shaft without marring. Greater axial holding power than set screw collars. Effective on hard & soft shafts.



[Drawing](#) | [Specifications](#) |

Drawing

Dimensional Drawing



One-Piece Clamping Collar Recessed Screw

Specifications

Bore	1 7/16 in
OD	2 3/8 in
Width	1/2 in
Style	One-Piece Clamp
Material	Aluminum, ASTM B211
Finish	Plain
Clamp Screw	Hex Socket Cap Screw, 3A Thread, Steel, ASTM A574: 1/4-28 x 3/4
Recessed Screw	Yes
Approximate Weight	2.04 oz
UPC Code	044861993699
Downloads	Catalog Page

Competitor Part Number

Alternate Part Number	0404381 101946221 175D03128 1A107 214077 214078 2774575 H1C143A
------------------------------	--