

**Climax Metal Products Company**

8141 Tyler Boulevard
Mentor, Ohio 44060
USA

Toll free: 800-542-6552

Phone: 440-585-0300

Fax: 800-860-5553

Email: sales@climaxmetal.com

Website: www.climaxmetal.com

ITEM # TC-087-09, ONE-PIECE THREADED CLAMPING COLLAR RECESSED SCREW TC-SERIES

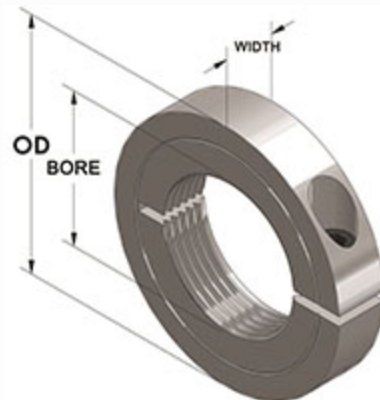
Black Oxide Plated Steel One-Piece Threaded Clamping Collars - Recessed Screw Head. Recessed screw head provides an outside surface free of major projections for safety. Design fully engages the thread for secure locking.



[Drawing](#) | [Specifications](#) |

Drawing

Dimensional Drawing



One-Piece Threaded Clamping Collar Recessed Screw

Specifications

Bore Thread	7/8-9
OD	1 7/8 in
Width	1/2 in
Style	One-Piece Clamp
Material	Steel, ASTM A108
Finish	Black Oxide
Clamp Screw	Hex Socket Cap Screw, 3A Thread, Steel, ASTM A574: 1/4-28 x 5/8
Recessed Screw	Yes
Approximate Weight	4.60 oz
UPC Code	044861505038
Downloads	Catalog Page

Competitor Part Number

Alternate Part Number	101783277
	1570710
	175D49250
	243298
	243299
	243300
	34545
	4L014
	908480
	CSC879
	CSC87-9
	TC08709