

**Climax Metal Products Company**

8141 Tyler Boulevard

Mentor, Ohio 44060

USA

Toll free: 800-542-6552

Phone: 440-585-0300

Fax: 800-860-5553

Email: sales@climaxmetal.comWebsite: www.climaxmetal.com

ITEM # MC-45, METRIC SET SCREW COLLAR MC-SERIES

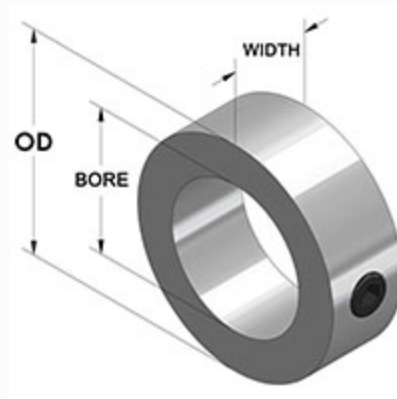
Black Oxide Plated Steel Metric Set Screw Collar. Traditional cost effective collar design.



[Drawing](#) | [Specifications](#) |

Drawing

Dimensional Drawing



Metric Set Screw Collar

Specifications

Bore	45 mm
OD	2 7/8 in
Width	18 mm
Style	Set Screw
Material	Steel, ASTM A108
Finish	Black Oxide
Set Screw	Hex Socket Set Screw, Steel: M10 x 10
Approximate Weight	12.60 oz
UPC Code	044861600450
Downloads	Catalog Page

Competitor Part Number

Alternate Part Number

0403101
101782327
1570805
175D50150
2337409
244056
35464270
57485K88
8699222
MC45
MSC45F
MSC-45-F