



Climax Metal Products Company

8141 Tyler Boulevard
Mentor, Ohio 44060
USA

Toll free: 800-542-6552

Phone: 440-585-0300

Fax: 800-860-5553

Email: sales@climaxmetal.com

Website: www.climaxmetal.com

ITEM # H1C-043-S, ONE-PIECE CLAMPING COLLAR RECESSED SCREW H1C-SERIES

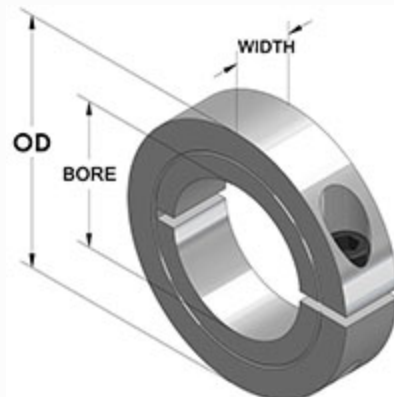
Stainless Steel One-Piece Clamping Collar - Recessed Screw Head. Recessed Screw Head provides an outside surface free of major projections for safety. Design fully engages the shaft without marring. Greater axial holding power than set screw collars. Effective on hard & soft shafts.



[Drawing](#) | [Specifications](#) |

Drawing

Dimensional Drawing



One-Piece Clamping Collar Recessed Screw

Specifications

Bore	7/16 in
OD	1 1/16 in
Width	5/16 in
Style	One-Piece Clamp
Material	Stainless Steel, ASTM A582
Finish	Plain
Clamp Screw	Hex Socket Cap Screw, 3A Thread, Stainless Steel, ASTM F837: 6-32 x 3/8
Recessed Screw	Yes
Approximate Weight	0.92 oz
UPC Code	044861171431
Downloads	Catalog Page

Competitor Part Number

Alternate Part Number	101781107
	1570541
	175D03034
	1S007
	213931
	213932
	213933
	34420
	900061
	CSSC43
	H1C043S