

**Climax Metal Products Company**

8141 Tyler Boulevard

Mentor, Ohio 44060

USA

Toll free: 800-542-6552

Phone: 440-585-0300

Fax: 800-860-5553

Email: sales@climaxmetal.comWebsite: www.climaxmetal.com

ITEM # ESC-050, END-STOP COLLAR ESC-SERIES

These specially designed collars fit over rail assemblies on precision shafting.

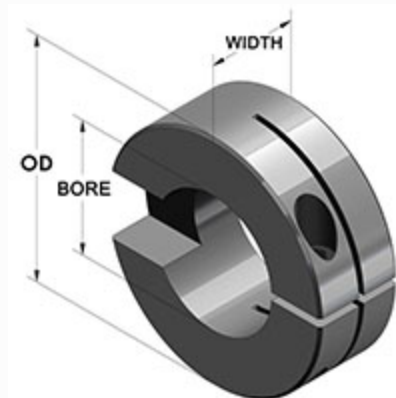
[View Catalog Page](#)



[Drawing](#) | [Specifications](#) |

Drawing

Dimensional Drawing



End-Stop Collar

Specifications

| | |
|---------------------------|---|
| Bore | 1/2 in |
| OD | 1 3/8 in |
| Width | 3/4 in |
| Style | One-Piece Clamp |
| Material | Steel, ASTM A108 |
| Finish | Black Oxide |
| Clamp Screw | Hex Socket Cap Screw, 3A Thread, Steel, ASTM A574: 8-32 x 5/8 |
| Recessed Screw | Yes |
| Approximate Weight | 3.57 oz |
| UPC Code | 044861040010 |
| Downloads | Catalog Page |

Competitor Part Number

| | |
|------------------------------|-----------|
| Alternate Part Number | 0404354 |
| | 103764883 |
| | 175D50107 |
| | 2302899 |
| | 2623652 |
| | 5700K11 |
| | ESC050 |