

**Climax Metal Products Company**

8141 Tyler Boulevard
Mentor, Ohio 44060
USA

Toll free: 800-542-6552

Phone: 440-585-0300

Fax: 800-860-5553

Email: sales@climaxmetal.com

Website: www.climaxmetal.com

ITEM # CRC-009-S, CORROSION RESISTANT SET SCREW COLLAR CRC-SERIES

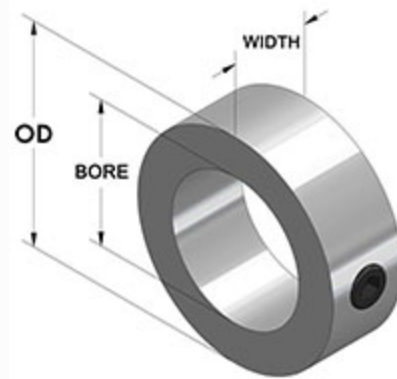
T316 Stainless Steel Corrosion Resistant Set Screw Collar. Traditional collar design.



[Drawing](#) | [Specifications](#) |

Drawing

Dimensional Drawing



Set Screw Collar

Specifications

Bore	3/32 in
OD	3/8 in
Width	3/16 in
Style	Set Screw
Material	316 Stainless Steel, ASTM A276
Finish	Plain
Set Screw	Hex Socket Set Screw, 3A Thread, 316 Stainless Steel: 6-32 x 1/8
Approximate Weight	0.10 oz
UPC Code	044861420409
Downloads	Catalog Page

Competitor Part Number

Alternate Part Number	0404340 103190546 175D30877 2758563 2774550 9943K12 CRC009S
------------------------------	---