



Climax Metal Products Company

8141 Tyler Boulevard
Mentor, Ohio 44060
USA

Toll free: 800-542-6552

Phone: 440-585-0300

Fax: 800-860-5553

Email: sales@climaxmetal.com

Website: www.climaxmetal.com

ITEM # TC-125-12, ONE-PIECE THREADED CLAMPING COLLAR RECESSED SCREW TC-SERIES

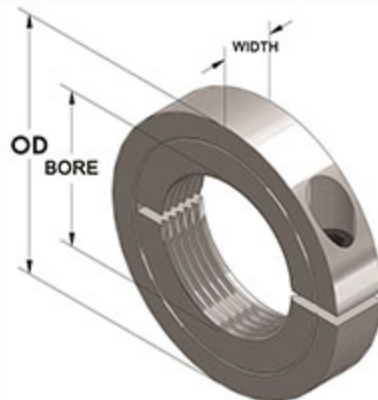
Black Oxide Plated Steel One-Piece Threaded Clamping Collars - Recessed Screw Head. Recessed screw head provides an outside surface free of major projections for safety. Design fully engages the thread for secure locking.



[Drawing](#) | [Specifications](#) |

Drawing

Dimensional Drawing



One-Piece Threaded Clamping Collar Recessed Screw

Specifications

Bore Thread	1 1/4-12
OD	2 1/4 in
Width	1/2 in
Style	One-Piece Clamp
Material	Steel, ASTM A108
Finish	Black Oxide
Clamp Screw	Hex Socket Cap Screw, 3A Thread, Steel, ASTM A574: 1/4-28 x 3/4
Recessed Screw	Yes
Approximate Weight	6.00 oz
UPC Code	044861501283
Downloads	Catalog Page

Competitor Part Number

Alternate Part Number	101785080
	1570719
	175D49257
	243319
	243320
	243321
	34552
	3L104
	8853513
	CSC12512
	CSC125-12
	TC12512