

**Climax Metal Products Company**

8141 Tyler Boulevard

Mentor, Ohio 44060

USA

Toll free: 800-542-6552

Phone: 440-585-0300

Fax: 800-860-5553

Email: [sales@climaxmetal.com](mailto:sales@climaxmetal.com)Website: [www.climaxmetal.com](http://www.climaxmetal.com)

## ITEM # 1C-068-S, ONE-PIECE CLAMPING COLLAR 1C-SERIES

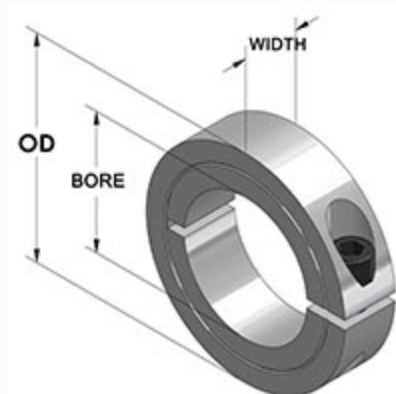
Stainless Steel One-Piece Clamping Collar. Design fully engages the shaft without marring. Greater axial holding power than set screw collars. Effective on hard & soft shafts.



[Drawing](#) | [Specifications](#) |

### Drawing

#### Dimensional Drawing



One-Piece Clamping Collar

### Specifications

|                           |  |
|---------------------------|--|
| <b>Bore</b>               | 11/16 in   |
| <b>OD</b>                 | 1 1/2 in   |
| <b>Width</b>              | 1/2 in   |
| <b>Style</b>              | One-Piece Clamp  |
| <b>Material</b>           | Stainless Steel, ASTM A582   |
| <b>Finish</b>             | Plain  |
| <b>Clamp Screw</b>        | Hex Socket Cap Screw, 3A Thread, Stainless Steel, ASTM F837: 10-32 x 1/2 |
| <b>Recessed Screw</b>     | No   |
| <b>Approximate Weight</b> | 2.90 oz  |
| <b>UPC Code</b>           | 044861196144   |
| <b>Downloads</b>          | <a href="#">Catalog Page</a>   |

### Competitor Part Number

|                              |           |
|------------------------------|-----------|
| <b>Alternate Part Number</b> | 101807141 |
|                              | 1570264   |
|                              | 175D49103 |
|                              | 1C068S    |
|                              | 242836    |
|                              | 242838    |
|                              | 242839    |
|                              | 2AKG3     |
|                              | 35462571  |
|                              | 6435K28   |
|                              | 7S011     |
|                              | 8699000   |
|                              | 99036217  |
|                              | CL11SS    |
|                              | CL-11-SS  |