



Climax Metal Products Company

8141 Tyler Boulevard
Mentor, Ohio 44060
USA

Toll free: 800-542-6552

Phone: 440-585-0300

Fax: 800-860-5553

Email: sales@climaxmetal.com

Website: www.climaxmetal.com

ITEM # 1C-143-A, ONE-PIECE CLAMPING COLLAR 1C-SERIES

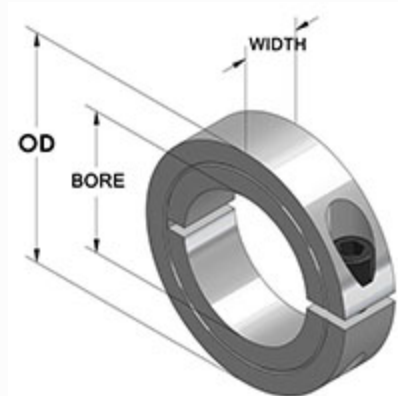
Aluminum One-Piece Clamping Collar. Design fully engages the shaft without marring. Greater axial holding power than set screw collars. Effective on hard & soft shafts.



[Drawing](#) | [Specifications](#) |

Drawing

Dimensional Drawing



One-Piece Clamping Collar

Specifications

Bore	1 7/16 in
OD	2 1/4 in
Width	9/16 in
Style	One-Piece Clamp
Material	Aluminum, ASTM B211
Finish	Plain
Clamp Screw	Hex Socket Cap Screw, 3A Thread, Steel, ASTM A574: 1/4-28 x 3/4
Recessed Screw	No
Approximate Weight	5.50 oz
UPC Code	044861128060
Downloads	Catalog Page

Competitor Part Number

Alternate Part Number	0403747
	101948038
	175D49068
	1C143A
	242729
	242730
	2758393
	2774522
	2AKL1
	6157K38
	75236612
	7A107
	8699027
	CL23A
	CL-23-A